

UNIT SIZE	OUTLET		INLET	CONTROL BOX	
	B	C	D	E	F
4	12 (305)	8 (203)	4(102)**	12(305)	2(51)
5			5(127)**	12(305)	2(51)
6			6(152)	12(305)	2(51)
7		10 (254)	7(178)	12(305)	1(25)
8			8(203)	12(305)	1(25)
9	14 (356)	12½ (318)	9(229)	12(305)	*
10			10(254)	12(305)	*
12	16 (406)	15 (381)	12(305)	17(432)	1(25)
14	20 (508)	17½ (445)	14(356)	17(432)	*
16	24(610)	18 (457)	16(406)	17(432)	*

SEE CATALOGUE FOR DETAILED AIR FLOW RANGE AND HEATING CAPACITY.

* CONTROL BOX WITHIN HEIGHT OF THE TERMINAL UNIT.

** 6" DIAMETER DUCT WITH 4" OR 5" REDUCER.

NOTES:

- INTERNAL INSULATION - FIBERGLASS ½" (13)THICK, MIN. 1.5# DENSITY, WHICH MEETS REQUIREMENTS OF NFPA 90A AND UL181.
- ZINC COATED STEEL 22 GA. TERMINAL & 20 GA. HEATER, MECHANICALLY SEALED AND GASKETED, LEAK RESISTANT CONSTRUCTION.
- RECTANGULAR DISCHARGE OPENINGS HAVE SLIP & DRIVE CLEAT DUCT CONNECTIONS.
- CONTROL ASSEMBLY WILL BE SUPPLIED AS ILLUSTRATED ON RIGHT HAND SIDE UNLESS SPECIFIED OTHERWISE.
- PRESSURE INDEPENDENT.
- CLEAN, DRY, 20 PSI (138KPa) CONTROL AIR REQUIRED.
- CONTROLS SUPPLIED AND MOUNTED BY PRICE.
- FOR ACCESSORIES SEE SUBMITTAL DRAWINGS.
- SCR CONTROLS OVER 25 AMPS 3Ø USE 19"(483) CONTROL BOX.
- *FOR SCR OPTION WITH PNEUMATIC CONTROL SIGNAL CONTACT PRICE.
- ASSEMBLY ETL CERTIFIED TO UL1995 & CSA236.

OPTIONS:

- PROTECTIVE CONTROL SHROUD
- RS - BOTTOM REMOVABLE SENSOR
- 20ga OUTER CASING

STANDARD COIL FEATURES:

- AUTOMATIC RESET THERMAL CUTOUT
- MANUAL RESET THERMAL CUTOUT
- LOW WATT DENSITY ELEMENTS, HIGH GRADE NICKEL-CHROME ALLOY
- PNEUMATIC ELECTRIC SWITCH
- AIR FLOW SWITCH
- HINGED ACCESS DOOR
- MAGNETIC CONTACTORS
- SINGLE POINT ELECTRICAL CONNECTION
- REFER TO SUBMITTED CONTROL DIAGRAMS FOR STANDARD CONTROL COMPONENTS TO BE SUPPLIED.

OPTIONAL COIL FEATURES:

- CONTROL CIRCUIT FUSES
- DOOR INTERLOCK DISCONNECT SWITCH
- MERCURY CONTACTORS
- MAIN SUPPLY FUSES
- HEATER SECTION INSULATED (FF NOT AVAILABLE)
- SCR CONTROLS SCR-DAT CONTROLS * SEE NOTE
 - 0 to 10 Vdc CONTROL SIGNAL
 - 4 to 20 mA CONTROL SIGNAL
 - 24 VAC PULSE CONTROL

OPTIONAL DUCT LINERS AND CONSTRUCTION:

- FG75 FG1 CRAF CRAF1 PM
- SM SM1 AFPM AFPM1 PM1
- FF FF1 FF50 FB FB1
- CRWF WFPM

SUPPLY VOLTAGE:

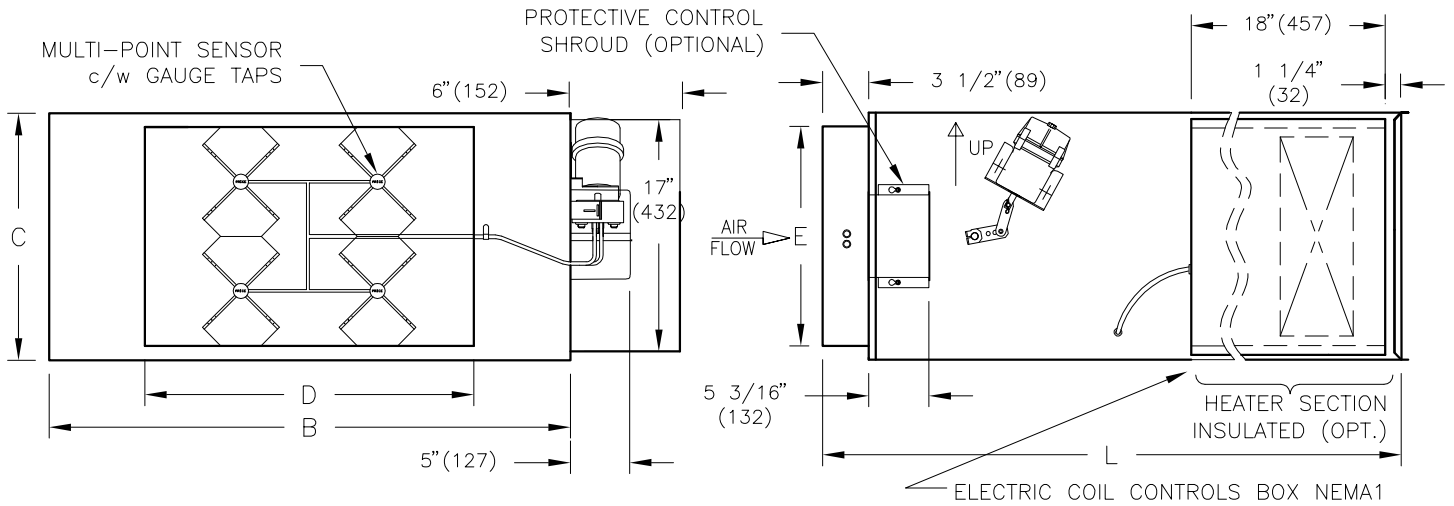
- 120/1Ø
- 208/1Ø (2 WIRE) 480/3Ø (3 WIRE)
- 208/3Ø (3 WIRE) 600/3Ø (3 OR 4 WIRE)
- 240/1Ø
- 277/1Ø
- 347/1Ø
- 480/1Ø



Intertek

ALL METRIC DIMENSIONS () ARE SOFT CONVERTED. IMPERIAL DIMENSIONS ARE CONVERTED TO METRIC AND ROUNDED TO THE NEAREST MILLIMETER.

PROJECT:		PRICE®	
ENGINEER:		GF	SPV8000 INTEGRAL ELECTRIC REHEAT SIZE 4 TO 16 ASSEMBLY PNEUMATIC CONTROLS
CUSTOMER:		237028	
SUBMITTAL DATE:	SPEC. SYMBOL:	2015/10/06	



UNIT SIZE	MAX L/S	MAX CFM	S.I. UNITS mm					IMPERIAL UNITS inches				
			OUTLET		INLET		LENGTH	OUTLET		INLET		LENGTH
			B	C	D	E	L	B	C	D	E	L
24x16	3776	8000	965	457	603	403	978	38	18	23 ⁷ / ₈	15 ⁷ / ₈	38 ¹ / ₂

STANDARD COIL FEATURES:

- AUTOMATIC RESET THERMAL CUTOUT
- MANUAL RESET THERMAL CUTOUT
- LOW WATT DENSITY ELEMENTS, HIGH GRADE NICKEL-CHROME ALLOY
- PNEUMATIC ELECTRIC SWITCH
- MAGNETIC CONTACTORS
- AIR FLOW SWITCH
- HINGED ACCESS DOOR
- SINGLE POINT ELECTRICAL CONNECTION
- REFER TO SUBMITTED CONTROL DIAGRAMS FOR STANDARD CONTROL COMPONENTS TO BE SUPPLIED.

SEE CATALOGUE FOR DETAILED AIR FLOW RANGE AND HEATING CAPACITY.

NOTES:

- INTERNAL INSULATION – FIBERGLASS 1/2" (13)THICK, MIN. 1.5# DENSITY, WHICH MEETS REQUIREMENTS OF NFPA 90A AND UL181.
- ZINC COATED STEEL 22 GA. TERMINAL & 20 GA. HEATER, MECHANICALLY SEALED AND GASKETED, LEAK RESISTANT CONSTRUCTION.
- RECTANGULAR DISCHARGE OPENINGS HAVE SLIP & DRIVE CLEAT DUCT CONNECTIONS.
- CONTROL ASSEMBLY WILL BE SUPPLIED AS ILLUSTRATED ON RIGHT HAND SIDE UNLESS SPECIFIED OTHERWISE.
- PRESSURE INDEPENDENT.
- CLEAN, DRY, 20 PSI (138KPa) CONTROL AIR REQUIRED.
- CONTROLS SUPPLIED AND MOUNTED BY PRICE.
- FOR ACCESSORIES SEE SUBMITTAL DRAWINGS.
- SCR CONTROLS OVER 25 AMPS 3Ø USE 19"(483) CONTROL BOX.
- *FOR SCR OPTION WITH PNEUMATIC CONTROL SIGNAL CONTACT PRICE.
- ASSEMBLY ETL CERTIFIED TO UL1995 & CSA236.

- OPTIONS:**
- PROTECTIVE CONTROL SHROUD.
 - 20ga OUTER CASING

OPTIONAL COIL FEATURES:

- CONTROL CIRCUIT FUSES
- DOOR INTERLOCK DISCONNECT SWITCH
- MERCURY CONTACTORS
- MAIN SUPPLY FUSES
- HEATER SECTION INSULATED (FF NOT AVAILABLE)
- SCR CONTROLS SCR-DAT CONTROLS * SEE NOTE
- 0 to 10 Vdc CONTROL SIGNAL
- 4 to 20 mA CONTROL SIGNAL
- 24 VAC PULSE CONTROL

OPTIONAL DUCT LINERS AND CONSTRUCTION:

- FG75 FG1
- SM SM1 CRAF CRAF1 CRWF
- FF FF1 PM PM1 AFPM AFPM1
- FF50 FB FB1 WFPM

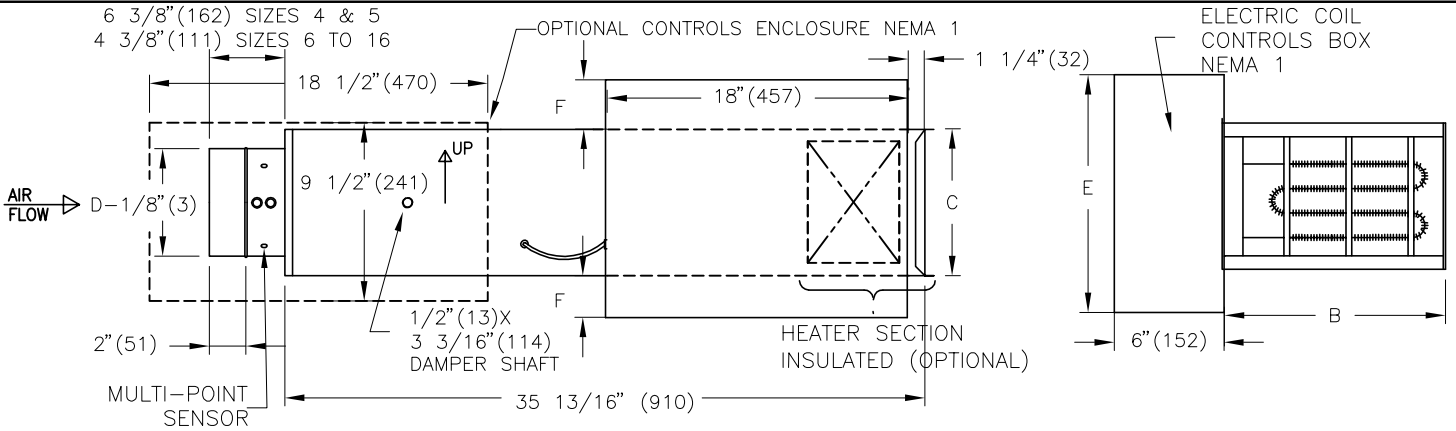
SUPPLY VOLTAGE:

- 120/1Ø
- 208/1Ø (3 WIRE) 480/3Ø (3 WIRE)
- 208/3Ø (3 WIRE) 600/3Ø (3 OR 4 WIRE)
- 240/1Ø
- 277/1Ø
- 347/1Ø
- 480/1Ø



ALL METRIC DIMENSIONS () ARE SOFT CONVERTED. IMPERIAL DIMENSIONS ARE CONVERTED TO METRIC AND ROUNDED TO THE NEAREST MILLIMETER.

PROJECT:		PRICE®	
ENGINEER:		GF	SPV8000
CUSTOMER:		237028	INTEGRAL ELECTRIC REHEAT SIZE 24 x 16 ASSEMBLY PNEUMATIC CONTROLS
SUBMITTAL DATE:	SPEC. SYMBOL:	2015/10/06	



UNIT SIZE	OUTLET		INLET	CONTROL BOX	
	B	C	D	E	F
4	12 (305)	8 (203)	4(102)**	12(305)	2(51)
5			5(127)**	12(305)	2(51)
6			6(152)	12(305)	2(51)
7		10 (254)	7(178)	12(305)	1(25)
8			8(203)	12(305)	1(25)
9	14 (356)	12½ (318)	9(229)	12(305)	*
10			10(254)	12(305)	*
12	16 (406)	15 (381)	12(305)	17(432)	1(25)
14	20 (508)	17½ (445)	14(356)	17(432)	*
16	24(610)	18 (457)	16(406)	17(432)	*

STANDARD COIL FEATURES:

- AUTOMATIC RESET THERMAL CUTOUT
- MANUAL RESET THERMAL CUTOUT
- LOW WATT DENSITY ELEMENTS, HIGH GRADE NICKEL-CHROME ALLOY
- MAGNETIC CONTACTORS
- AIR FLOW SWITCH
- 24VAC/50VAC CLASS 2 TRANSFORMER
- HINGED ACCESS DOOR
- SINGLE POINT ELECTRICAL CONNECTION
- REFER TO SUBMITTED CONTROL DIAGRAMS FOR STANDARD CONTROL COMPONENTS TO BE SUPPLIED.

OPTIONAL COIL FEATURES:

- CONTROL CIRCUIT FUSES
- DOOR INTERLOCK DISCONNECT SWITCH
- MERCURY CONTACTORS
- MAIN SUPPLY FUSES
- HEATER SECTION INSULATED (FF NOT AVAILABLE)
- SCR CONTROLS SCR-DAT CONTROLS
 - 0 to 10 Vdc CONTROL SIGNAL
 - 4 to 20 mA CONTROL SIGNAL

OPTIONAL DUCT LINERS AND CONSTRUCTION:

- FG75 FG1
- SM SM1 AFPM AFPM1 CRWF
- FF FF1 CRAF CRAF1 PM PM1
- FF50 FB FB1 WFPM

SUPPLY VOLTAGE:

- 120/1Ø
- 208/1Ø (2 WIRE) 480/3Ø (3 WIRE)
- 208/3Ø (3 WIRE) 600/3Ø (3 OR 4 WIRE)
- 240/1Ø
- 277/1Ø
- 347/1Ø
- 480/1Ø

SEE CATALOGUE FOR DETAILED CFM RANGE AND HEATING CAPACITY.

* CONTROL BOX WITHIN THE HEIGHT OF THE TERMINAL UNIT.

** 6" DIAMETER DUCT WITH 4" OR 5" REDUCER.

NOTES:

- INTERNAL INSULATION – FIBERGLASS ½" (13) THICK, MIN. 1.5# DENSITY, WHICH MEETS REQUIREMENTS OF NFPA 90A AND UL181.
- ZINC COATED STEEL 22GA. TERMINAL & 20 GA. HEATER, MECHANICALLY SEALED AND GASKETED, LEAK RESISTANT CONSTRUCTION .
- RECTANGULAR DISCHARGE OPENINGS HAVE SLIP & DRIVE CLEAT DUCT CONNECTIONS.
- CONTROL ASSEMBLY WILL BE SUPPLIED AS ILLUSTRATED ON RIGHT HAND SIDE UNLESS SPECIFIED OTHERWISE.
- DIGITAL CONTROLS SUPPLIED BY CONTROLS CONTRACTOR.
- FOR ACCESSORIES SEE SUBMITTAL DRAWINGS.
- SCR CONTROLS OVER 25 AMPS 3Ø USE 19"(483) CONTROL BOX.
- ASSEMBLY ETL CERTIFIED TO UL1995 & CSA236.

OPTIONS:

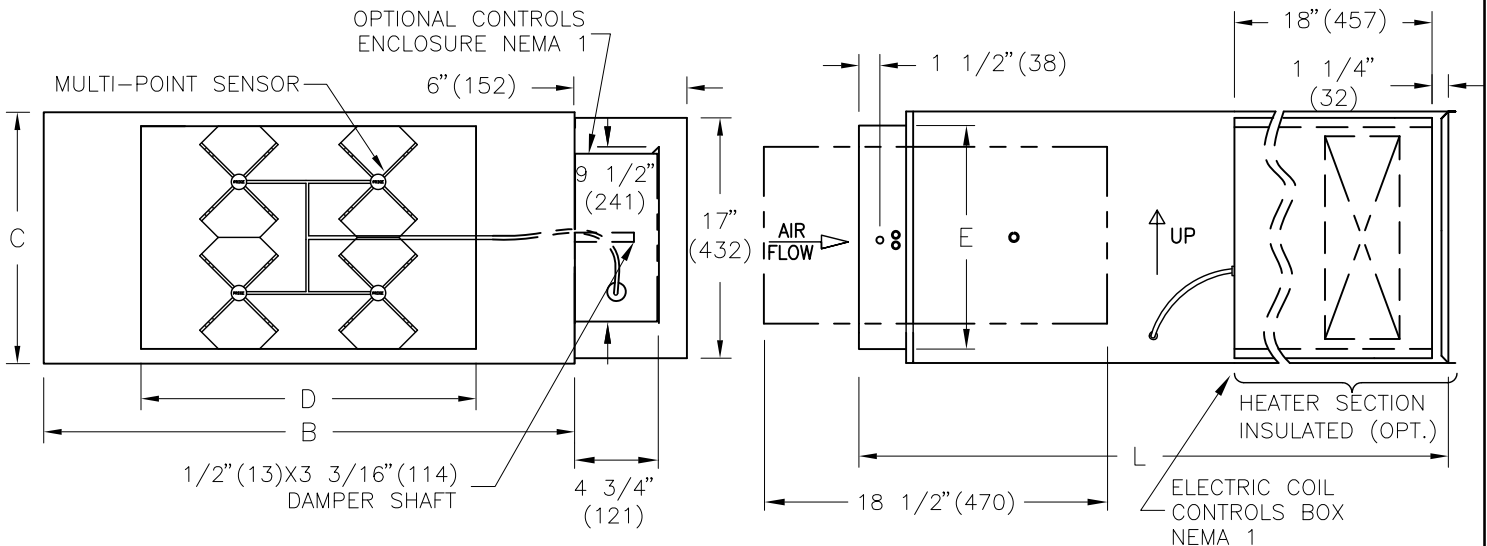
- CONTROLS ENCLOSURE
- 20ga OUTER CASING
- RS – BOTTOM REMOVABLE SENSOR



Intertek

ALL METRIC DIMENSIONS () ARE SOFT CONVERTED. IMPERIAL DIMENSIONS ARE CONVERTED TO METRIC AND ROUNDED TO THE NEAREST MILLIMETER.

PROJECT:		PRICE®	
ENGINEER:			
CUSTOMER:		GF	SDV5000 INTEGRAL ELECTRIC REHEAT SIZE 4 TO 16 ASSEMBLY DIGITAL CONTROLS
SUBMITTAL DATE:		237030	
SPEC. SYMBOL:		2015/10/06	



UNIT SIZE	MAX L/S	MAX CFM	S.I. UNITS mm					IMPERIAL UNITS inches				
			OUTLET		INLET		LENGTH	OUTLET		INLET		LENGTH
			B	C	D	E	L	B	C	D	E	L
24x16	3964	8400	965	457	603	403	978	38	18	23 7/8	15 7/8	38 1/2

STANDARD COIL FEATURES:

- AUTOMATIC RESET THERMAL CUTOUT
- MANUAL RESET THERMAL CUTOUT
- LOW WATT DENSITY ELEMENTS, HIGH GRADE NICKEL-CHROME ALLOY
- MAGNETIC CONTACTORS
- AIR FLOW SWITCH

- 24VAC/50VA CLASS 2 TRANSFORMER
- HINGED ACCESS DOOR
- SINGLE POINT ELECTRICAL CONNECTION

• REFER TO SUBMITTED CONTROL DIAGRAMS FOR STANDARD CONTROL COMPONENTS TO BE SUPPLIED.

OPTIONAL COIL FEATURES:

- CONTROL CIRCUIT FUSES
- DOOR INTERLOCK DISCONNECT SWITCH
- MERCURY CONTACTORS
- MAIN SUPPLY FUSES
- HEATER SECTION INSULATED (FF NOT AVAILABLE)
- SCR CONTROLS SCR-DAT CONTROLS
- 0 to 10 Vdc CONTROL SIGNAL
- 4 to 20 mA CONTROL SIGNAL

SEE CATALOGUE FOR DETAILED CFM RANGE AND HEATING CAPACITY.

NOTES:

- INTERNAL INSULATION - FIBERGLASS 1/2" (13) THICK, MIN. 1.5# DENSITY, WHICH MEETS REQUIREMENTS OF NFPA 90A AND UL181.
- ZINC COATED STEEL 22GA. TERMINAL & 20 GA. HEATER, MECHANICALLY SEALED AND GASKETED, LEAK RESISTANT CONSTRUCTION .
- RECTANGULAR DISCHARGE OPENINGS HAVE SLIP & DRIVE CLEAT DUCT CONNECTIONS.
- CONTROL ASSEMBLY WILL BE SUPPLIED AS ILLUSTRATED ON RIGHT HAND SIDE UNLESS SPECIFIED OTHERWISE.
- DIGITAL CONTROLS SUPPLIED BY CONTROLS CONTRACTOR.
- FOR ACCESSORIES SEE SUBMITTAL DRAWINGS.
- SCR CONTROLS OVER 25 AMP 3Ø USE 19" (483) CONTROL BOX.
- ASSEMBLY ETL CERTIFIED TO UL1995 & CSA236.

- OPTIONS:**
- CONTROLS ENCLOSURE
 - 20ga OUTER CASING

OPTIONAL DUCT LINERS AND CONSTRUCTION:

- FG75 FG1 AFPM AFPM1 CRWF
- SM SM1 CRAF CRAF1 PM PM1
- FF FF1 FF50 FB FB1 WFPM

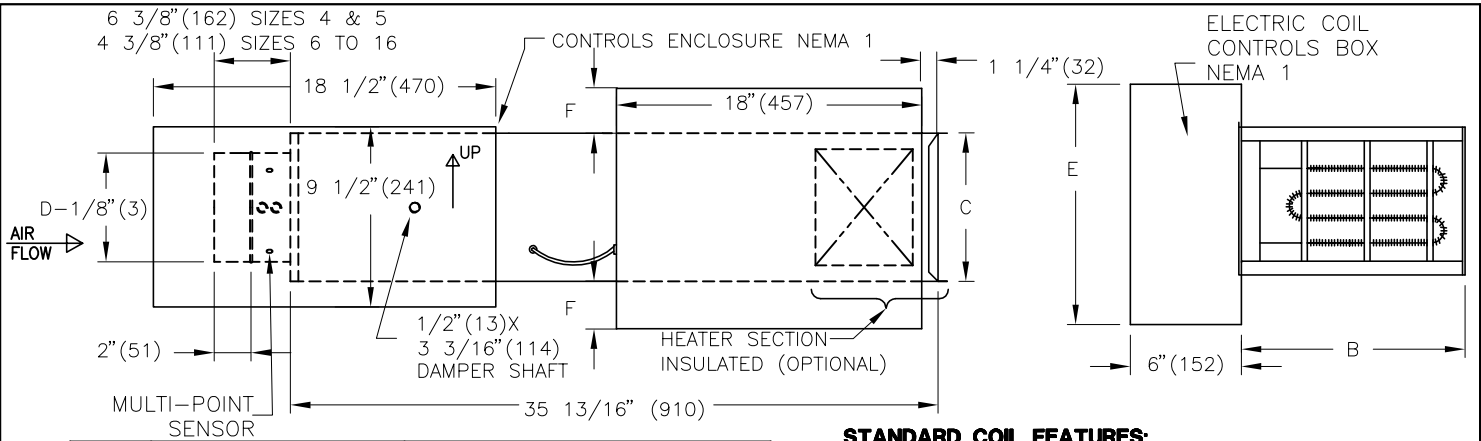
SUPPLY VOLTAGE:

- 120/1Ø 480/3Ø (3 WIRE)
- 208/1Ø (3 WIRE) 600/3Ø (3 OR 4 WIRE)
- 208/3Ø (3 WIRE)
- 240/1Ø
- 277/1Ø
- 347/1Ø
- 480/1Ø



ALL METRIC DIMENSIONS () ARE SOFT CONVERTED. IMPERIAL DIMENSIONS ARE CONVERTED TO METRIC AND ROUNDED TO THE NEAREST MILLIMETER.

PROJECT:		PRICE®	
ENGINEER:			
CUSTOMER:		237030	SDV5000 INTEGRAL ELECTRIC REHEAT SIZE 24 x 16 ASSEMBLY DIGITAL CONTROLS
SUBMITTAL DATE:	SPEC. SYMBOL:	2015/10/06	



UNIT SIZE	OUTLET		INLET	CONTROL BOX	
	B	C	D	E	F
4	12 (305)	8 (203)	4(102)**	12(305)	2(51)
5			5(127)**	12(305)	2(51)
6			6(152)	12(305)	2(51)
7	14 (356)	10 (254)	7(178)	12(305)	1(25)
8			8(203)	12(305)	1(25)
9	14 (356)	12½ (318)	9(229)	12(305)	*
10			10(254)	12(305)	*
12	16 (406)	15 (381)	12(305)	17(432)	1(25)
14	20 (508)	17½ (445)	14(356)	17(432)	*
16	24(610)	18 (457)	16(406)	17(432)	*

STANDARD COIL FEATURES:

- AUTOMATIC RESET THERMAL CUTOUT
- MANUAL RESET THERMAL CUTOUT
- LOW WATT DENSITY ELEMENTS, HIGH GRADE NICKEL-CHROME ALLOY
- MAGNETIC CONTACTORS
- AIR FLOW SWITCH
- 24VAC/50VAC CLASS 2 TRANSFORMER
- HINGED ACCESS DOOR
- SINGLE POINT ELECTRICAL CONNECTION
- REFER TO SUBMITTED CONTROL DIAGRAMS FOR STANDARD CONTROL COMPONENTS TO BE SUPPLIED.

OPTIONAL COIL FEATURES:

- CONTROL CIRCUIT FUSES
- DOOR INTERLOCK DISCONNECT SWITCH
- MERCURY CONTACTORS
- MAIN SUPPLY FUSES
- HEATER SECTION INSULATED (FF NOT AVAILABLE)
- SCR CONTROLS SCR-DAT CONTROLS
 - 0 to 10 Vdc CONTROL SIGNAL
 - 4 to 20 mA CONTROL SIGNAL

OPTIONAL DUCT LINERS AND CONSTRUCTION:

- FG75 FG1
- SM SM1 AFPM AFPM1
- FF FF1 CRAF CRAF1 CRWF
- PM PM1 FF50 WFRM

SUPPLY VOLTAGE:

- FB FB1
- 120/1Ø
- 208/1Ø (2 WIRE) 480/3Ø (3 WIRE)
- 208/3Ø (3 WIRE) 600/3Ø (3 OR 4 WIRE)
- 240/1Ø
- 277/1Ø
- 347/1Ø
- 480/1Ø



SEE CATALOGUE FOR DETAILED CFM RANGE AND HEATING CAPACITY.

* CONTROL BOX WITHIN HEIGHT OF THE TERMINAL UNIT.
 ** 6" DIAMETER DUCT WITH 4" OR 5" REDUCER.

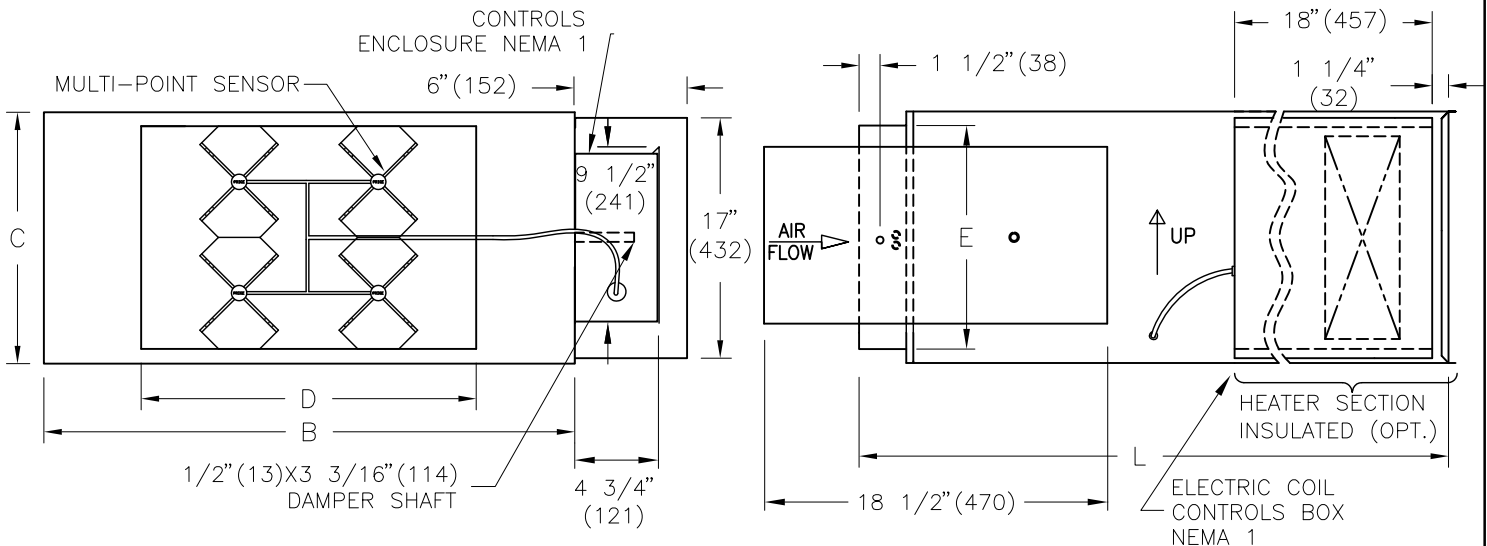
NOTES:

- INTERNAL INSULATION – FIBERGLASS ½" (13) THICK, MIN. 1.5# DENSITY, WHICH MEETS REQUIREMENTS OF NFPA 90A AND UL181.
- ZINC COATED STEEL 22GA. TERMINAL & 20 GA. HEATER, MECHANICALLY SEALED AND GASKETED, LEAK RESISTANT CONSTRUCTION .
- RECTANGULAR DISCHARGE OPENINGS HAVE SLIP & DRIVE CLEAT DUCT CONNECTIONS.
- CONTROL ASSEMBLY WILL BE SUPPLIED AS ILLUSTRATED ON RIGHT HAND SIDE UNLESS SPECIFIED OTHERWISE.
- FOR ACCESSORIES SEE SUBMITTAL DRAWINGS.
- SCR CONTROLS OVER 25 AMPS 3Ø USE 19"(483) CONTROL BOX.
- ASSEMBLY ETL CERTIFIED TO UL1995 & CSA236.
- PRICE CONTROLS FACTORY MOUNTED.
- PRICE THERMOSTAT FIELD MOUNTED.

- OPTIONS:** RS – BOTTOM REMOVABLE SENSOR
 20ga OUTER CASING

ALL METRIC DIMENSIONS () ARE SOFT CONVERTED. IMPERIAL DIMENSIONS ARE CONVERTED TO METRIC AND ROUNDED TO THE NEAREST MILLIMETER.

PROJECT:		PRICE®	
		GF	SDV8000
ENGINEER:		INTEGRAL ELECTRIC REHEAT SIZE 4 TO 16 ASSEMBLY PRICE CONTROLS	
CUSTOMER:			
SUBMITTAL DATE:		240375	2015/10/06
SPEC. SYMBOL:			



UNIT SIZE	MAX L/S	MAX CFM	S.I. UNITS mm					IMPERIAL UNITS inches				
			OUTLET		INLET		LENGTH	OUTLET		INLET		LENGTH
			B	C	D	E	L	B	C	D	E	L
24x16	3964	8400	965	457	603	403	978	38	18	23 ⁷ / ₈	15 ⁷ / ₈	38 ¹ / ₂

STANDARD COIL FEATURES:

- AUTOMATIC RESET THERMAL CUTOUT
- MANUAL RESET THERMAL CUTOUT
- LOW WATT DENSITY ELEMENTS, HIGH GRADE NICKEL-CHROME ALLOY
- MAGNETIC CONTACTORS
- AIR FLOW SWITCH

SEE CATALOGUE FOR DETAILED CFM RANGE AND HEATING CAPACITY.

NOTES:

- INTERNAL INSULATION - FIBERGLASS 1/2" (13) THICK, MIN. 1.5# DENSITY WHICH MEETS REQUIREMENTS OF NFPA 90A AND UL181.
- ZINC COATED STEEL 22GA. TERMINAL & 20 GA. HEATER, MECHANICALLY SEALED AND GASKETED, LEAK RESISTANT CONSTRUCTION .
- RECTANGULAR DISCHARGE OPENINGS HAVE SLIP & DRIVE CLEAT DUCT CONNECTIONS.
- CONTROL ASSEMBLY WILL BE SUPPLIED AS ILLUSTRATED ON RIGHT HAND SIDE UNLESS SPECIFIED OTHERWISE.
- FOR ACCESSORIES SEE SUBMITTAL DRAWINGS.
- SCR CONTROLS OVER 25 AMP 3Ø USE 19"(483) CONTROL BOX.
- ASSEMBLY ETL CERTIFIED TO UL1995 & CSA236.
- PRICE CONTROLS FACTORY MOUNTED.
- PRICE THERMOSTAT FIELD MOUNTED.

- 24VAC/50VA CLASS 2 TRANSFORMER
- HINGED ACCESS DOOR
- SINGLE POINT ELECTRICAL CONNECTION

• REFER TO SUBMITTED CONTROL DIAGRAMS FOR STANDARD CONTROL COMPONENTS TO BE SUPPLIED.

OPTIONAL COIL FEATURES:

- CONTROL CIRCUIT FUSES
- DOOR INTERLOCK DISCONNECT SWITCH
- MERCURY CONTACTORS
- MAIN SUPPLY FUSES
- HEATER SECTION INSULATED (FF NOT AVAILABLE)
- SCR CONTROLS SCR-DAT CONTROLS
 - 0 to 10 Vdc CONTROL SIGNAL
 - 4 to 20 mA CONTROL SIGNAL

OPTIONAL DUCT LINERS AND CONSTRUCTION:

- FG75 FG1
- SM SM1 AFPM AFPM1
- FF FF1 CRAF CRAF1 CRWF
- PM PM1 FF50 WPFM
- 20ga OUTER CASING FB FB1

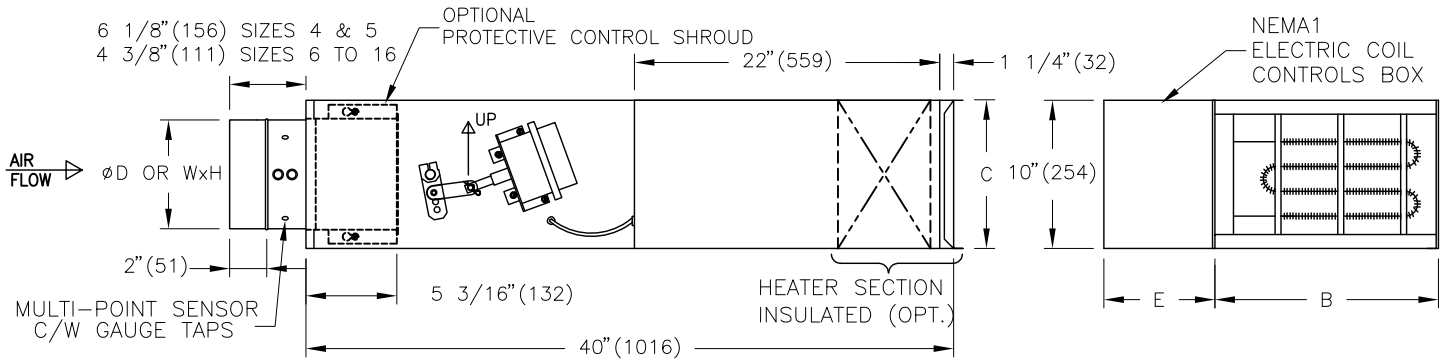
SUPPLY VOLTAGE:

- 120/1Ø
- 208/1Ø (3 WIRE) 480/3Ø (3 WIRE)
- 208/3Ø (3 WIRE) 600/3Ø (3 OR 4 WIRE)
- 240/1Ø
- 277/1Ø
- 347/1Ø
- 480/1Ø



ALL METRIC DIMENSIONS () ARE SOFT CONVERTED. IMPERIAL DIMENSIONS ARE CONVERTED TO METRIC AND ROUNDED TO THE NEAREST MILLIMETER.

PROJECT:		PRICE®	
ENGINEER:			
CUSTOMER:		GF	SDV8000 INTEGRAL ELECTRIC REHEAT SIZE 24 x 16 ASSEMBLY PRICE CONTROLS
SUBMITTAL DATE:		240375	
SPEC. SYMBOL:		2015/10/06	



UNIT SIZE	OUTLET		INLET	CONTROL BOX	
	B	C	D OR WxH	E	
4	12 (305)	8 (203)	3 7/8(98)φ	6 (152)	
5			4 7/8(124)φ		
6			5 7/8(149)φ		
7			6 7/8(175)φ		
8			7 7/8(200)φ		
9	17 1/2(445)	10 (254)	10x8(254x203)		
10			12x8(305x203)		
12	24 (610)	10 (254)	16x8(406x203)		8 1/2 (216)
14	30 (762)	10 (254)	21x8(533x203)		
16	38 (965)	10 (254)	29x8(737x203)		

NOTES:

- INTERNAL INSULATION – FIBERGLASS 1/2" (13)THICK, MIN. 1.5# DENSITY WHICH MEETS REQUIREMENTS OF NFPA 90A AND UL181.
- ZINC COATED STEEL 22 GA. TERMINAL & 20 GA. HEATER, MECHANICALLY SEALED AND GASKETED, LEAK RESISTANT CONSTRUCTION.
- RECTANGULAR DISCHARGE OPENINGS HAVE SLIP & DRIVE CLEAT DUCT CONNECTIONS.
- CONTROL ASSEMBLY WILL BE SUPPLIED AS ILLUSTRATED ON RIGHT HAND SIDE UNLESS SPECIFIED OTHERWISE.
- PRESSURE INDEPENDENT.
- CLEAN, DRY, 20 PSI (138KPa) CONTROL AIR REQUIRED.
- CONTROLS SUPPLIED AND MOUNTED BY PRICE.
- FOR ACCESSORIES SEE SUBMITTAL DRAWINGS.
- ASSEMBLY ETL CERTIFIED TO UL1995 & CSA236.

OPTIONS:

- PROTECTIVE CONTROL SHROUD.

SUPPLY VOLTAGE:

- 120/1φ
- 208/1φ (3 WIRE)
- 208/3φ (4 WIRE)
- 240/1φ
- 277/1φ
- 347/1φ
- 480/3φ (3 WIRE)
- 600/3φ (3 OR 4 WIRE)

STANDARD COIL FEATURES:

- AUTOMATIC RESET THERMAL CUTOUT
- MANUAL RESET THERMAL CUTOUT
- LOW WATT DENSITY ELEMENTS, HIGH GRADE NICKEL-CHROME ALLOY
- PNEUMATIC ELECTRIC SWITCH
- AIR FLOW SWITCH
- HINGED ACCESS DOOR
- SINGLE POINT ELECTRICAL CONNECTION
- REFER TO SUBMITTED CONTROL DIAGRAMS FOR STANDARD CONTROL COMPONENTS TO BE SUPPLIED.

OPTIONAL COIL FEATURES:

- CONTROL CIRCUIT FUSES
- DOOR INTERLOCK DISCONNECT SWITCH
- MERCURY CONTACTORS
- MAIN SUPPLY FUSES
- HEATER SECTION INSULATED (FF NOT AVAILABLE)
- SCR CONTROLS SCR-DAT CONTROLS

NOTE: FOR SCR OPTION WITH PNEUMATIC CONTROL SIGNAL CONTACT PRICE

- 0 to 10 Vdc CONTROL SIGNAL
- 4 to 20 mA CONTROL SIGNAL
- 24 VAC PULSE CONTROL

OPTIONAL DUCT LINERS AND CONSTRUCTION:

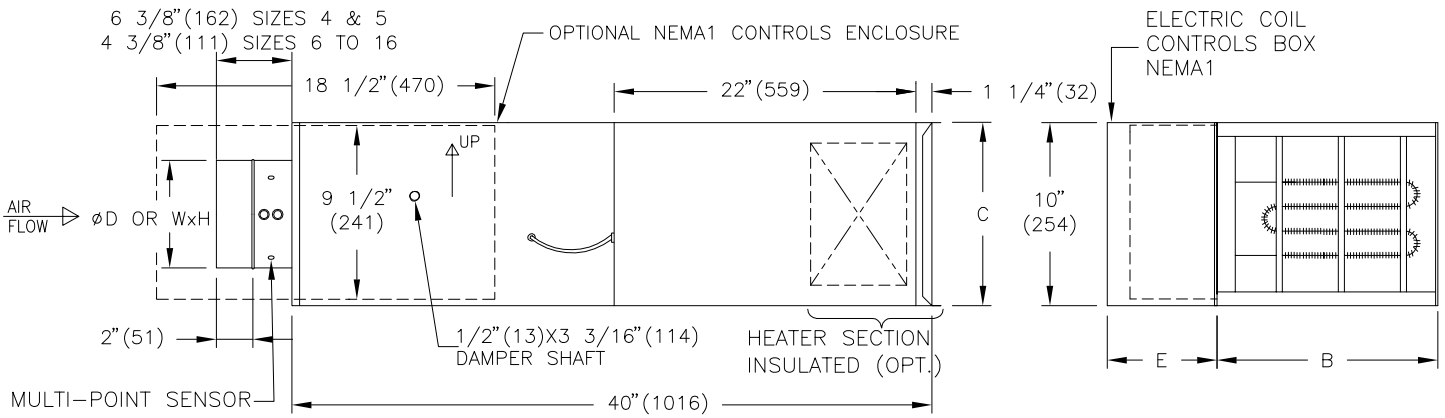
- FF50 FF FG 75
- PM SM WFPM AFPM
- FB CRAF CRWF LL

SEE CATALOGUE FOR DETAILED AIR FLOW RANGE AND HEATING CAPACITY.



ALL METRIC DIMENSIONS () ARE SOFT CONVERTED. IMPERIAL DIMENSIONS ARE CONVERTED TO METRIC AND ROUNDED TO THE NEAREST MILLIMETER.

PROJECT:		PRICE®	
ENGINEER:		GF	SPVLP8000 LOW PROFILE INTEGRAL ELECTRIC REHEAT SIZE 4 TO 16 ASSEMBLY PNEUMATIC CONTROLS
CUSTOMER:			
SUBMITTAL DATE:	SPEC. SYMBOL:	2015/10/06	



UNIT SIZE	OUTLET		INLET	CONTROL BOX
	B	C	D OR WxH	E
4	12 (305)	8 (203)	3 7/8 (98)φ **	6 (152)
5			4 7/8 (124)φ **	
6			5 7/8 (149)φ	
7			6 7/8 (175)φ	
8			7 7/8 (200)φ	
9	17 1/2 (445)	10 (254)	10x8(254x203)	8 1/2 (216)
10			12x8(305x203)	
12	24 (610)	10 (254)	16x8(406x203)	
14	30 (762)	10 (254)	21x8(533x203)	
16	38 (965)	10 (254)	29x8(737x203)	

SEE CATALOGUE FOR DETAILED AIR FLOW RANGE AND HEATING CAPACITY.

** 6" DIAMETER DUCT WITH 4" OR 5" REDUCER.

STANDARD COIL FEATURES:

- AUTOMATIC RESET THERMAL CUTOUT
- MANUAL RESET THERMAL CUTOUT
- LOW WATT DENSITY ELEMENTS, HIGH GRADE NICKEL-CHROME ALLOY
- MAGNETIC CONTACTORS
- AIR FLOW SWITCH
- 24VAC/50VAC CLASS 2 TRANSFORMER
- HINGED ACCESS DOOR
- SINGLE POINT ELECTRICAL CONNECTION
- REFER TO SUBMITTED CONTROL DIAGRAMS FOR STANDARD CONTROL COMPONENTS TO BE SUPPLIED.

OPTIONAL COIL FEATURES:

- CONTROL CIRCUIT FUSES
- DOOR INTERLOCK DISCONNECT SWITCH
- MERCURY CONTACTORS
- MAIN SUPPLY FUSES
- SCR CONTROLS SCR -DAT CONTROLS
- 0 to 10 Vdc CONTROL SIGNAL
- 4 to 20 mA CONTROL SIGNAL
- 24 VAC PULSE CONTROL
- HEATER SECTION INSULATED (FF NOT AVAILABLE)

OPTIONAL DUCT LINERS AND CONSTRUCTION:

- FF50 PM SM
- AFPM CRAF FB

NOTES:

- INTERNAL INSULATION - FIBERGLASS 1/2" (13) THICK, MIN. 1.5# DENSITY WHICH MEETS REQUIREMENTS OF NFPA 90A AND UL181.
- ZINC COATED STEEL 22 GA. TERMINAL & 20 GA. HEATER, MECHANICALLY SEALED AND GASKETED, LEAK RESISTANT CONSTRUCTION.
- RECTANGULAR DISCHARGE OPENINGS HAVE SLIP & DRIVE CLEAT DUCT CONNECTIONS.
- CONTROL ASSEMBLY WILL BE SUPPLIED AS ILLUSTRATED ON RIGHT HAND SIDE UNLESS SPECIFIED OTHERWISE.
- PRESSURE INDEPENDENT.
- DIGITAL CONTROLS SUPPLIED BY CONTROLS CONTRACTOR.
- FOR ACCESSORIES SEE SUBMITTAL DRAWINGS.
- ASSEMBLY ETL CERTIFIED TO UL1995 & CSA236.

OPTIONS:

- PROTECTIVE CONTROL SHROUD.

SUPPLY VOLTAGE:

- 120/1φ
- 208/1φ (3 WIRE)
- 208/3φ (3 WIRE)
- 240/1φ
- 277/1φ
- 347/1φ
- 480/3φ (3 WIRE)
- 600/3φ (3 OR 4 WIRE)

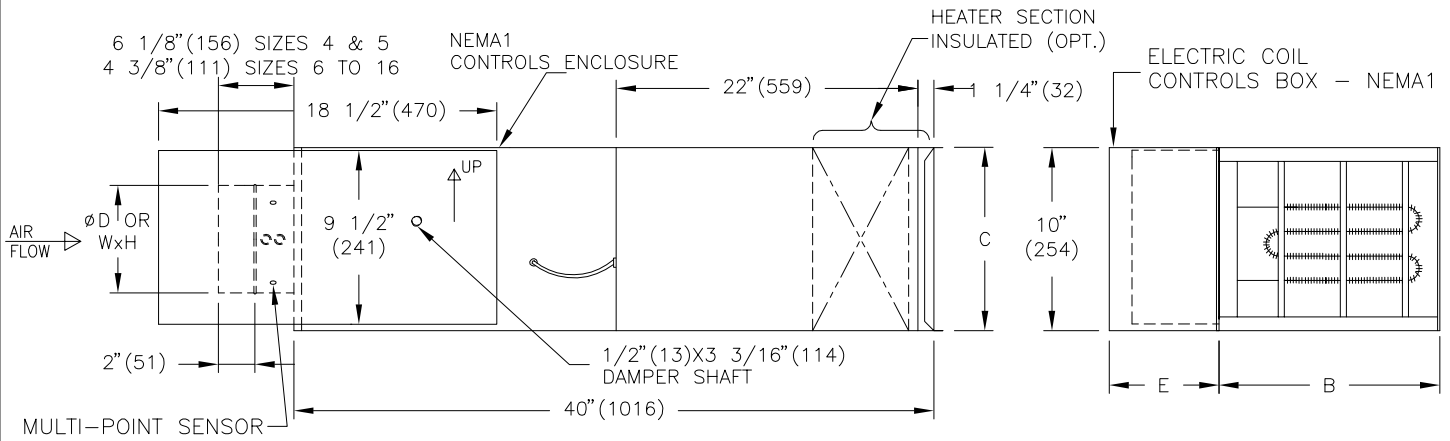


Intertek



ALL METRIC DIMENSIONS () ARE SOFT CONVERTED. IMPERIAL DIMENSIONS ARE CONVERTED TO METRIC AND ROUNDED TO THE NEAREST MILLIMETER.

PROJECT:		PRICE®	
ENGINEER:		GF	SDVLP5000
CUSTOMER:			
CUSTOMER:		239546	LOW PROFILE INTEGRAL ELECTRIC REHEAT SIZE 4 TO 16 ASSEMBLY DIGITAL CONTROLS
SUBMITTAL DATE:	SPEC. SYMBOL:	2015/10/06	



UNIT SIZE	OUTLET		INLET	CONTROL BOX
	B	C	D OR WxH	E
4	12 (305)	8 (203)	3 7/8 (98)φ **	6 (152)
5			4 7/8 (124)φ **	
6			5 7/8 (149)φ	
7			6 7/8 (175)φ	
8			7 7/8 (200)φ	
9	17 1/2 (445)	10 (254)	10x8(254x203)	8 1/2 (216)
10			12x8(305x203)	
12	24 (610)	10 (254)	16x8(406x203)	
14	30 (762)	10 (254)	21x8(533x203)	
16	38 (965)	10 (254)	29x8(737x203)	

SEE CATALOGUE FOR DETAILED AIR FLOW RANGE AND HEATING CAPACITY.

** 6" DIAMETER DUCT WITH 4" OR 5" REDUCER.

STANDARD COIL FEATURES:

- AUTOMATIC RESET THERMAL CUTOUT
- MANUAL RESET THERMAL CUTOUT
- LOW WATT DENSITY ELEMENTS, HIGH GRADE NICKEL-CHROME ALLOY
- MAGNETIC CONTACTORS
- AIR FLOW SWITCH
- 24VAC/50VAC CLASS 2 TRANSFORMER
- HINGED ACCESS DOOR
- SINGLE POINT ELECTRICAL CONNECTION
- REFER TO SUBMITTED CONTROL DIAGRAMS FOR STANDARD CONTROL COMPONENTS TO BE SUPPLIED.

OPTIONAL COIL FEATURES:

- CONTROL CIRCUIT FUSES
- DOOR INTERLOCK DISCONNECT SWITCH
- MERCURY CONTACTORS
- MAIN SUPPLY FUSES
- SCR CONTROLS SCR-DAT CONTROLS
- 0 to 10 Vdc CONTROL SIGNAL
- 4 to 20 mA CONTROL SIGNAL
- 24 VAC PULSE CONTROL
- HEATER SECTION INSULATED (FF NOT AVAILABLE)

OPTIONAL DUCT LINERS AND CONSTRUCTION:

- SM AFPM CRAF
- FF50 PM FB

NOTES:

- INTERNAL INSULATION - FIBERGLASS 1/2" (13) THICK, MIN. 1.5# DENSITY WHICH MEETS REQUIREMENTS OF NFPA 90A AND UL181.
- ZINC COATED STEEL 22 GA. TERMINAL & 20 GA. HEATER, MECHANICALLY SEALED AND GASKETED, LEAK RESISTANT CONSTRUCTION.
- RECTANGULAR DISCHARGE OPENINGS HAVE SLIP & DRIVE CLEAT DUCT CONNECTIONS.
- CONTROL ASSEMBLY WILL BE SUPPLIED AS ILLUSTRATED ON RIGHT HAND SIDE UNLESS SPECIFIED OTHERWISE.
- PRESSURE INDEPENDENT.
- FOR ACCESSORIES SEE SUBMITTAL DRAWINGS.
- ASSEMBLY ETL CERTIFIED TO UL1995 & CSA236.
- PRICE CONTROLS FACTORY MOUNTED.
- PRICE THERMOSTAT FIELD MOUNTED.

SUPPLY VOLTAGE:

- 120/1φ
- 208/1φ (3 WIRE)
- 208/3φ (3 WIRE)
- 240/1φ
- 277/1φ
- 347/1φ
- 480/3φ (3 WIRE)
- 600/3φ (3 OR 4 WIRE)

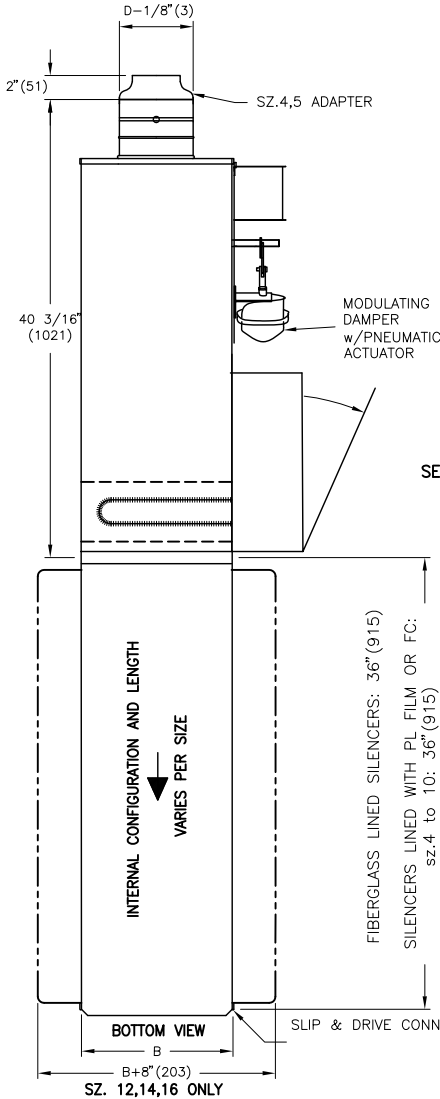
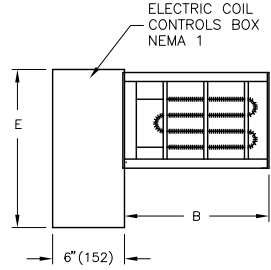
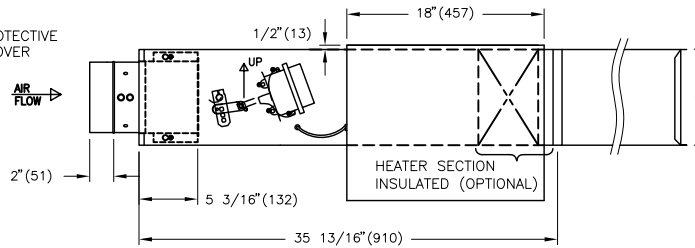
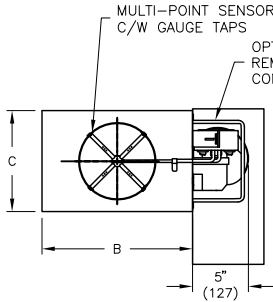


Intertek



ALL METRIC DIMENSIONS () ARE SOFT CONVERTED. IMPERIAL DIMENSIONS ARE CONVERTED TO METRIC AND ROUNDED TO THE NEAREST MILLIMETER.

PROJECT:		PRICE®	
ENGINEER:		GF	SDVLP8000
CUSTOMER:			
CUSTOMER:		240373	LOW PROFILE INTEGRAL ELECTRIC REHEAT SIZE 4 TO 16 ASSEMBLY PRICE CONTROLS
SUBMITTAL DATE:	SPEC. SYMBOL:	2015/10/06	



UNIT SIZE	OUTLET		INLET	CONTROL BOX
	B	C	D	E
4	12 (305)	8 (203)	4(102)	12(305)
5			5(127)	12(305)
6			6(152)	12(305)
7			7(178)	12(305)
8	14 (356)	10 (254)	8(203)	12(305)
9			9(229)	12(305)
10	16 (406)	12½ (318)	10(254)	12(305)
12			12(305)	17(432)
14	20 (508)	17½ (445)	14(356)	17(432)
16			16(406)	17(432)

SEE CATALOGUE FOR DETAILED AIR FLOW RANGE AND HEATING CAPACITY.

NOTES:

- INTERNAL INSULATION - FIBERGLASS 1" (25) THICK, MIN. 1.5# DENSITY, WHICH MEETS REQUIREMENTS OF NFPA 90A AND UL181.
- ZINC COATED STEEL 22 GA. TERMINAL & 20 GA. HEATER, MECHANICALLY SEALED AND GASKETED, LEAK RESISTANT CONSTRUCTION.
- RECTANGULAR DISCHARGE OPENINGS HAVE SLIP & DRIVE CLEAT DUCT CONNECTIONS.
- CONTROL ASSEMBLY WILL BE SUPPLIED AS ILLUSTRATED ON RIGHT HAND SIDE UNLESS SPECIFIED OTHERWISE.
- PRESSURE INDEPENDENT.
- CLEAN, DRY, 20 PSI (138KPa) CONTROL AIR REQUIRED.
- CONTROLS SUPPLIED AND MOUNTED BY PRICE.
- SCR CONTROLS OVER 25 AMPS 3Ø USE 19"(483) CONTROL BOX.
- SILENCER - MEDIUM PRESSURE STYLE, 22 GAUGE GALVANIZED CASING WITH PERFORATED LINER OVER FIBERGLASS ACOUSTIC MEDIA.

OPTIONS:

- PROTECTIVE CONTROL SHROUD.
 - ELBOW SILENCER (SEE PAGE 3)
 - RS - BOTTOM REMOVABLE SENSOR
- TERMINAL LINERS:**
- FF FF1 FB SM PM CRAF
 - FF50 CRWF FB1 SM1 PM1 CRAF1
 - WFPM AFPM AFPM1
- SILENCER LINERS:**
- PL - POLYMER LINER
 - FC - FIBERGLASS CLOTH

STANDARD COIL FEATURES:

- AUTOMATIC RESET THERMAL CUTOUT
- MANUAL RESET THERMAL CUTOUT
- LOW WATT DENSITY ELEMENTS, HIGH GRADE NICKEL-CHROME ALLOY
- PNEUMATIC ELECTRIC SWITCH
- AIR FLOW SWITCH
- HINGED ACCESS DOOR
- MAGNETIC CONTACTORS
- SINGLE POINT ELECTRICAL CONNECTION
- REFER TO SUBMITTED CONTROL DIAGRAMS FOR STANDARD CONTROL COMPONENTS TO BE SUPPLIED.

OPTIONAL COIL FEATURES:

- CONTROL CIRCUIT FUSES
 - DOOR INTERLOCK DISCONNECT SWITCH
 - MERCURY CONTACTORS
 - MAIN SUPPLY FUSES
 - HEATER SECTION INSULATED (FF NOT AVAILABLE)
 - SCR CONTROLS SCR-DAT CONTROLS
- NOTE: FOR SCR OPTION WITH PNEUMATIC CONTROL SIGNAL CONTACT PRICE
- 0 to 10 Vdc CONTROL SIGNAL
 - 4 to 20 mA CONTROL SIGNAL
 - 24 VAC PULSE CONTROL

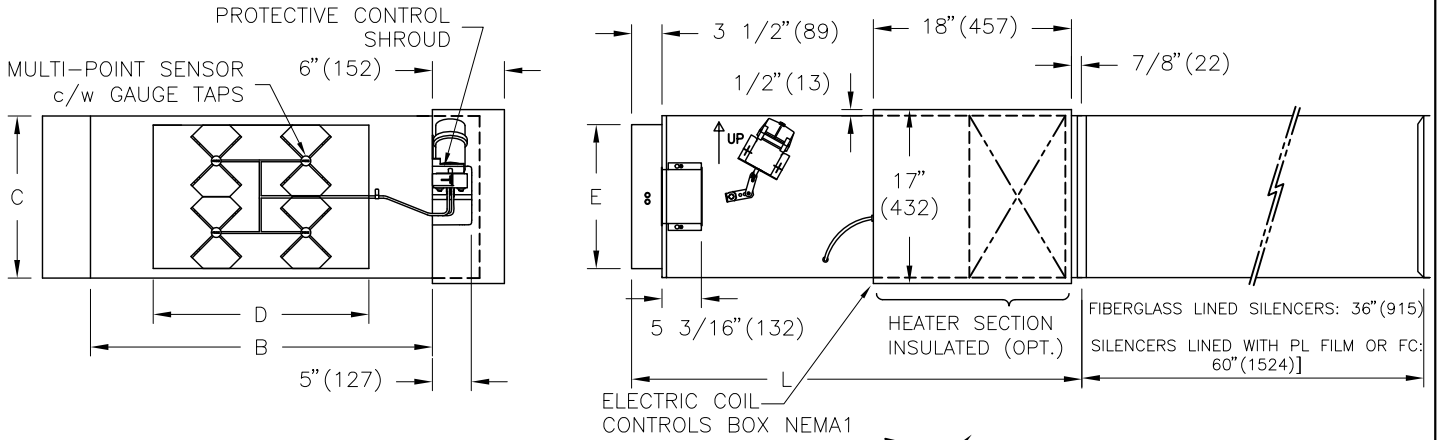
SUPPLY VOLTAGE:

- 120/1Ø
- 208/1Ø (3 WIRE)
- 208/3Ø (3 WIRE)
- 240/1Ø
- 277/1Ø 480/3Ø (3 WIRE)
- 347/1Ø 600/3Ø (3 OR 4 WIRE)
- 480/1Ø



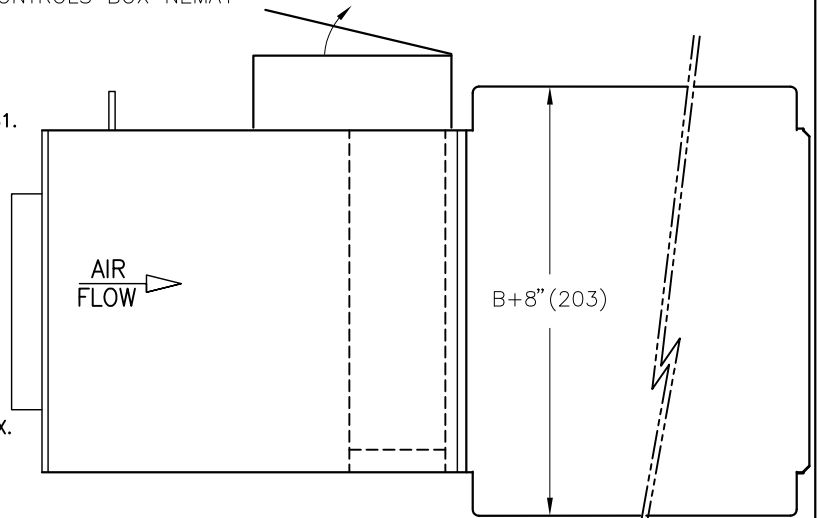
ALL METRIC DIMENSIONS () ARE SOFT CONVERTED. IMPERIAL DIMENSIONS ARE CONVERTED TO METRIC AND ROUNDED TO THE NEAREST MILLIMETER.

PROJECT:		PRICE®	
ENGINEER:		GF	SPVQ8000
CUSTOMER:		246391	INTEGRAL ELECTRIC REHEAT SIZE 4 TO 16 ASSEMBLY PNEUMATIC CONTROLS w/STRAIGHT SILENCER
SUBMITTAL DATE:	SPEC. SYMBOL:	2015/10/06	



NOTES:

- INTERNAL INSULATION – FIBERGLASS 1" (25) THICK, MIN. 1.5# DENSITY, WHICH MEETS REQUIREMENTS OF NFPA 90A AND UL181.
- ZINC COATED STEEL 22 GA. TERMINAL & 20 GA. HEATER, MECHANICALLY SEALED AND GASKETED, LEAK RESISTANT CONSTRUCTION.
- RECTANGULAR DISCHARGE OPENINGS HAVE SLIP & DRIVE CLEAT DUCT CONNECTIONS.
- CONTROL ASSEMBLY WILL BE SUPPLIED AS ILLUSTRATED ON RIGHT HAND SIDE UNLESS SPECIFIED OTHERWISE.
- PRESSURE INDEPENDENT.
- CLEAN, DRY, 20 PSI (138KPa) CONTROL AIR REQUIRED.
- CONTROLS SUPPLIED AND MOUNTED BY PRICE.
- FOR ACCESSORIES SEE SUBMITTAL DRAWINGS.
- SCR CONTROLS OVER 25 AMPS 3Ø USE 19" (483) CONTROL BOX.
- ASSEMBLY ETL CERTIFIED TO UL1995 & CSA236.
- SILENCER – MEDIUM PRESSURE STYLE, 22 GAUGE GALVANIZED CASING WITH PERFORATED LINER OVER FIBERGLASS ACOUSTIC MEDIA.



OPTIONS:

- PROTECTIVE CONTROL SHROUD.

UNIT SIZE	MAX L/S	MAX CFM	S.I. UNITS mm					IMPERIAL UNITS inches				
			OUTLET		INLET		LENGTH	OUTLET		INLET		LENGTH
			B	C	D	E	L	B	C	D	E	L
24x16	3776	8000	965	457	603	403	978	38	18	23 7/8	15 7/8	38 1/2

OPTIONAL COIL FEATURES:

- CONTROL CIRCUIT FUSES
 - DOOR INTERLOCK DISCONNECT SWITCH
 - MERCURY CONTACTORS
 - MAIN SUPPLY FUSES
 - HEATER SECTION INSULATED (FF NOT AVAILABLE)
 - SCR CONTROLS SCR-DAT CONTROLS
- NOTE: FOR SCR OPTION WITH PNEUMATIC CONTROL SIGNAL CONTACT PRICE
- 0 to 10 Vdc CONTROL SIGNAL
 - 4 to 20 mA CONTROL SIGNAL
 - 24 VAC PULSE CONTROL

SUPPLY VOLTAGE:

- 120/1Ø 480/3Ø (3 WIRE)
- 208/1Ø (3 WIRE) 600/3Ø (3 OR 4 WIRE)
- 208/3Ø (3 WIRE)
- 240/1Ø
- 277/1Ø
- 347/1Ø
- 480/1Ø



ELECTRIC REHEAT NOTES:

STANDARD COIL FEATURES:

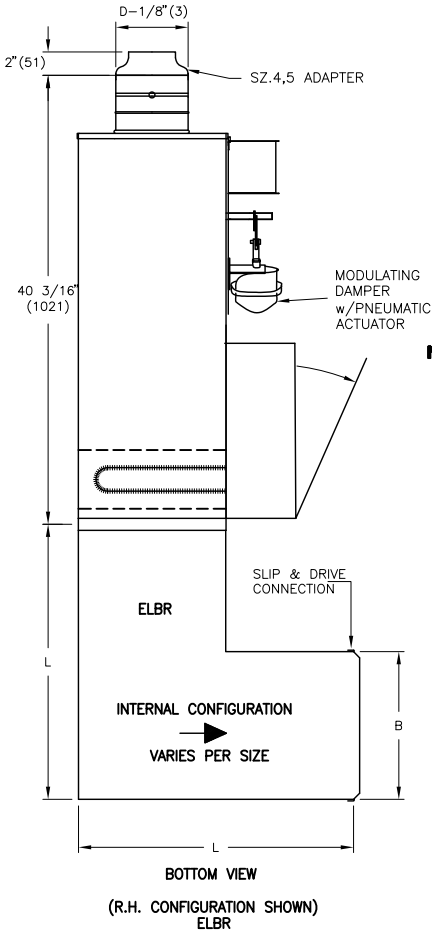
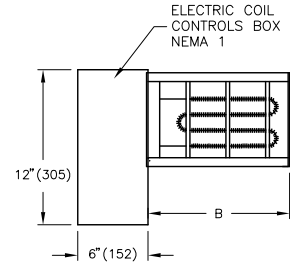
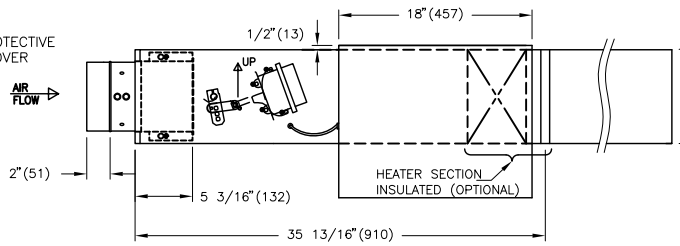
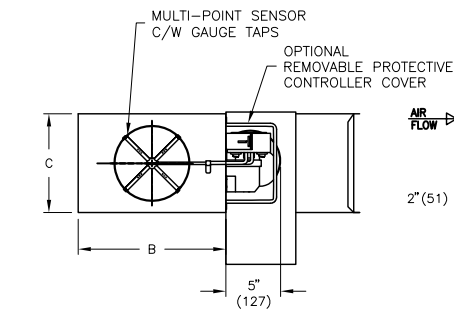
- AUTOMATIC RESET THERMAL CUTOUT
- MANUAL RESET THERMAL CUTOUT
- LOW WATT DENSITY ELEMENTS, HIGH GRADE NICKEL-CHROME ALLOY
- PNEUMATIC ELECTRIC SWITCH
- MAGNETIC CONTACTORS
- AIR FLOW SWITCH
- HINGED ACCESS DOOR
- SINGLE POINT ELECTRICAL CONNECTION
- REFER TO SUBMITTED CONTROL DIAGRAMS FOR STANDARD CONTROL COMPONENTS TO BE SUPPLIED.

SEE CATALOGUE FOR DETAILED AIR FLOW RANGE AND HEATING CAPACITY.

- TERMINAL LINERS: WFPM AFPM AFPM1
- FF FF1 FB SM PM CRAF
- FF50 CRWF FB1 SM1 PM1 CRAF1
- SILENCER LINERS: PL – POLYMER LINER FC – FIBERGLASS CLOTH

ALL METRIC DIMENSIONS () ARE SOFT CONVERTED. IMPERIAL DIMENSIONS ARE CONVERTED TO METRIC AND ROUNDED TO THE NEAREST MILLIMETER.

PROJECT:		PRICE®	
ENGINEER:		GF	SPVQ8000
CUSTOMER:		246391	INTEGRAL ELECTRIC REHEAT SZ.24X16 VARIABLE VOLUME PNEUMATIC CONTROLS w/SILENCER
SUBMITTAL DATE:		2015/10/06	
SPEC. SYMBOL:			



UNIT SIZE	OUTLET		INLET	SILENCER
	B	C	D	L
4	12 (305)	8 (203)	4(102)	24(610)
5			5(127)	
6			6(152)	
7			7(178)	
8			8(203)	
9	14 (356)	12½ (318)	9(229)	25(635)
10			10(254)	

SEE CATALOGUE FOR DETAILED AIR FLOW RANGE AND HEATING CAPACITY.

NOTES:

- INTERNAL INSULATION - FIBERGLASS 1" (25) THICK, MIN. 1.5# DENSITY, WHICH MEETS REQUIREMENTS OF NFPA 90A AND UL181.
- ZINC COATED STEEL 22 GA. TERMINAL & 20 GA. HEATER, MECHANICALLY SEALED AND GASKETED, LEAK RESISTANT CONSTRUCTION.
- RECTANGULAR DISCHARGE OPENINGS HAVE SLIP & DRIVE CLEAT DUCT CONNECTIONS.
- CONTROL ASSEMBLY WILL BE SUPPLIED AS ILLUSTRATED ON RIGHT HAND SIDE UNLESS SPECIFIED OTHERWISE.
- PRESSURE INDEPENDENT.
- CLEAN, DRY, 20 PSI (138KPa) CONTROL AIR REQUIRED.
- CONTROLS SUPPLIED AND MOUNTED BY PRICE.
- SCR CONTROLS OVER 25 AMPS 3Ø USE 19"(483) CONTROL BOX.
- SILENCER - MEDIUM PRESSURE STYLE, 22 GAUGE GALVANIZED CASING WITH PERFORATED LINER OVER FIBERGLASS ACOUSTIC MEDIA.
- R.H. CONFIGURATION SHOWN

OPTIONS:

- PROTECTIVE CONTROL SHROUD.
- RS - BOTTOM REMOVABLE SENSOR

TERMINAL LINERS:

- FF FF1 FB SM PM CRAF
- FF50 CRWF FB1 SM1 PM1 CRAF1
- WFPM AFPM AFPM1

SILENCER LINERS:

- PL - POLYMER LINER
- FC - FIBERGLASS CLOTH

SILENCER CONFIGURATIONS:

- ELBR - ELBOW RIGHT - SHIPPED ATTACHED
- ELBL - ELBOW LEFT - SHIPPED ATTACHED
- ELBD - ELBOW DOWN - SHIPPED LOOSE
- ELBU - ELBOW UP - SHIPPED LOOSE

STANDARD COIL FEATURES:

- AUTOMATIC RESET THERMAL CUTOUT
- MANUAL RESET THERMAL CUTOUT
- LOW WATT DENSITY ELEMENTS, HIGH GRADE NICKEL-CHROME ALLOY
- PNEUMATIC ELECTRIC SWITCH
- AIR FLOW SWITCH
- MAGNETIC CONTACTORS
- HINGED ACCESS DOOR
- SINGLE POINT ELECTRICAL CONNECTION
- REFER TO SUBMITTED CONTROL DIAGRAMS FOR STANDARD CONTROL COMPONENTS TO BE SUPPLIED.

OPTIONAL COIL FEATURES:

- CONTROL CIRCUIT FUSES
- DOOR INTERLOCK DISCONNECT SWITCH
- MERCURY CONTACTORS
- MAIN SUPPLY FUSES
- HEATER SECTION INSULATED (FF NOT AVAILABLE)
- SCR CONTROLS SCR-DAT CONTROLS

NOTE: FOR SCR OPTION WITH PNEUMATIC CONTROL SIGNAL CONTACT PRICE

- 0 to 10 Vdc CONTROL SIGNAL
- 4 to 20 mA CONTROL SIGNAL
- 24 VAC PULSE CONTROL

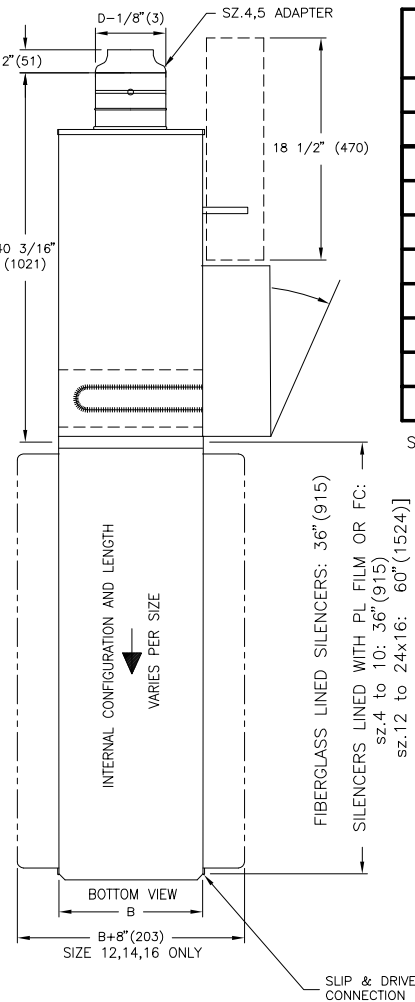
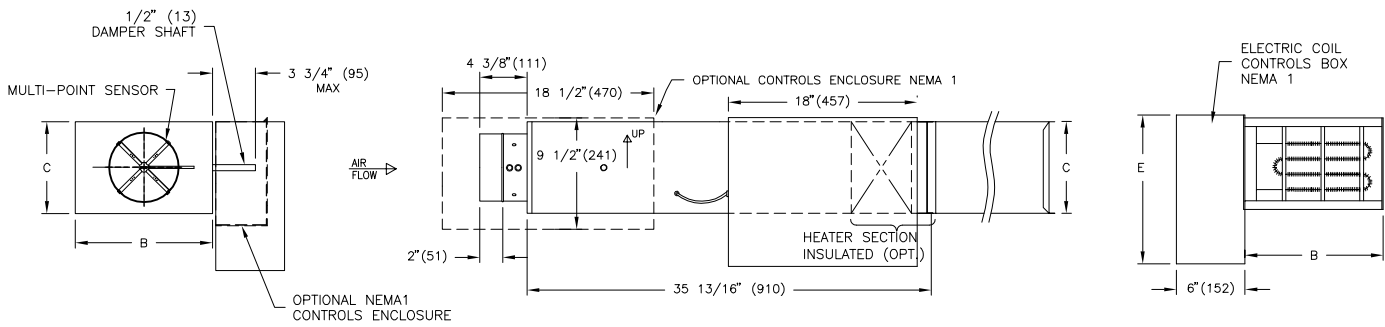
SUPPLY VOLTAGE:

- 120/1Ø
- 208/1Ø (3 WIRE)
- 208/3Ø (3 WIRE)
- 240/1Ø
- 277/1Ø 480/3Ø (3 WIRE)
- 347/1Ø 600/3Ø (3 OR 4 WIRE)
- 480/1Ø



ALL METRIC DIMENSIONS () ARE SOFT CONVERTED. IMPERIAL DIMENSIONS ARE CONVERTED TO METRIC AND ROUNDED TO THE NEAREST MILLIMETER.

PROJECT:		PRICE®	
ENGINEER:			
CUSTOMER:		GF	SPVQ8000
SUBMITTAL DATE:		246391	INTEGRAL ELECTRIC REHEAT SIZE 4 TO 10 ASSEMBLY PNEUMATIC CONTROLS w/ELBOW SILENCER
SPEC. SYMBOL:		2015/10/06	



UNIT SIZE	OUTLET		INLET	CONTROL BOX
	B	C	D	E
4	12 (305)	8 (203)	4(102)	12(305)
5			5(127)	12(305)
6			6(152)	12(305)
7			7(178)	12(305)
8	10 (254)	10 (254)	8(203)	12(305)
9			9(229)	12(305)
10	14 (356)	12 1/2 (318)	10(254)	12(305)
12	16 (406)	15 (381)	12(305)	17(432)
14	20 (508)	17 1/2 (445)	14(356)	17(432)
16	24(610)	18 (457)	16(406)	17(432)

SEE CATALOGUE FOR DETAILED CFM RANGE AND HEATING CAPACITY.

NOTES:

- INTERNAL INSULATION - FIBERGLASS 1"(25) THICK, MIN. 1.5# DENSITY, WHICH MEETS REQUIREMENTS OF NFPA 90A AND UL181.
- ZINC COATED STEEL 22GA. TERMINAL & 20 GA. HEATER, MECHANICALLY SEALED AND GASKETED, LEAK RESISTANT CONSTRUCTION .
- RECTANGULAR DISCHARGE OPENINGS HAVE SLIP & DRIVE CLEAT DUCT CONNECTIONS.
- CONTROL ASSEMBLY WILL BE SUPPLIED AS ILLUSTRATED ON RIGHT HAND SIDE UNLESS SPECIFIED OTHERWISE.
- DIGITAL CONTROLS SUPPLIED BY CONTROLS CONTRACTOR.
- SCR CONTROLS OVER 25 AMPS 3Ø USE 19"(483) CONTROL BOX.
- SILENCER - MEDIUM PRESSURE STYLE, 22 GAUGE GALVANIZED CASING WITH PERFORATED LINER OVER FIBERGLASS ACOUSTIC MEDIA.

OPTIONAL COIL FEATURES:

- CONTROL CIRCUIT FUSES
- DOOR INTERLOCK DISCONNECT SWITCH
- MERCURY CONTACTORS
- MAIN SUPPLY FUSES
- HEATER SECTION INSULATED (FF NOT AVAILABLE)
- SCR CONTROLS SCR-DAT CONTROLS
- 0 to 10 Vdc CONTROL SIGNAL
- 4 to 20 mA CONTROL SIGNAL
- 24 VAC PULSE CONTROL

STANDARD COIL FEATURES:

- AUTOMATIC RESET THERMAL CUTOUT
- MANUAL RESET THERMAL CUTOUT
- LOW WATT DENSITY ELEMENTS, HIGH GRADE NICKEL-CHROME ALLOY
- MAGNETIC CONTACTORS
- AIR FLOW SWITCH
- 24VAC/50VAC CLASS 2 TRANSFORMER
- HINGED ACCESS DOOR
- SINGLE POINT ELECTRICAL CONNECTION
- REFER TO SUBMITTED CONTROL DIAGRAMS FOR STANDARD CONTROL COMPONENTS TO BE SUPPLIED.

SUPPLY VOLTAGE:

- 120/1Ø
- 208/1Ø (3 WIRE)
- 208/3Ø (3 WIRE)
- 240/1Ø
- 277/1Ø
- 347/1Ø
- 480/1Ø
- 480/3Ø (3 WIRE)
- 600/3Ø (3 OR 4 WIRE)

TERMINAL LINERS:

- FF FF1 FB
- FF50 CRWF FB1
- SM PM CRAF
- SM1 PM1 CRAF1
- WFPM AFPM AFPM1

SILENCER LINERS:

- PL - POLYMER LINER
- FC - FIBERGLASS CLOTH

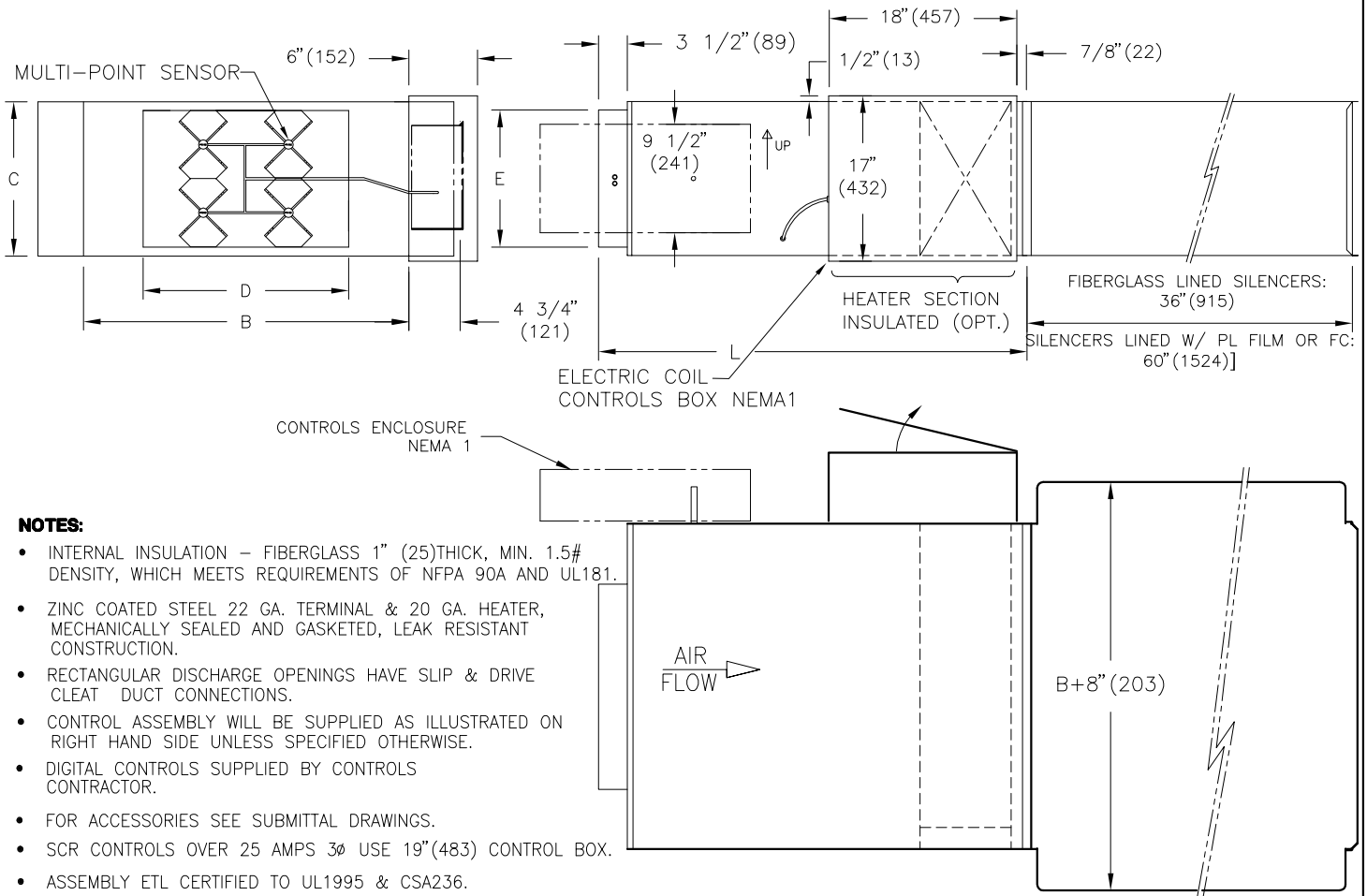
OPTIONS:

- CONTROLS ENCLOSURE
- ELBOW SILENCER (SEE PAGE 3)
- RS - BOTTOM REMOVABLE SENSOR
- GT - BRASS AIRFLOW SENSOR GAUGE TAPS



ALL METRIC DIMENSIONS () ARE SOFT CONVERTED. IMPERIAL DIMENSIONS ARE CONVERTED TO METRIC AND ROUNDED TO THE NEAREST MILLIMETER.

PROJECT:		PRICE®	
ENGINEER:			
CUSTOMER:		246393	INTEGRAL ELECTRIC REHEAT SIZE 4 TO 16 ASSEMBLY DIGITAL CONTROLS w/STRAIGHT SILENCER
SUBMITTAL DATE:	SPEC. SYMBOL:	2015/10/06	



NOTES:

- INTERNAL INSULATION – FIBERGLASS 1" (25) THICK, MIN. 1.5# DENSITY, WHICH MEETS REQUIREMENTS OF NFPA 90A AND UL181.
- ZINC COATED STEEL 22 GA. TERMINAL & 20 GA. HEATER, MECHANICALLY SEALED AND GASKETED, LEAK RESISTANT CONSTRUCTION.
- RECTANGULAR DISCHARGE OPENINGS HAVE SLIP & DRIVE CLEAT DUCT CONNECTIONS.
- CONTROL ASSEMBLY WILL BE SUPPLIED AS ILLUSTRATED ON RIGHT HAND SIDE UNLESS SPECIFIED OTHERWISE.
- DIGITAL CONTROLS SUPPLIED BY CONTROLS CONTRACTOR.
- FOR ACCESSORIES SEE SUBMITTAL DRAWINGS.
- SCR CONTROLS OVER 25 AMPS 3Ø USE 19" (483) CONTROL BOX.
- ASSEMBLY ETL CERTIFIED TO UL1995 & CSA236.
- SILENCER – MEDIUM PRESSURE STYLE, 22 GAUGE GALVANIZED CASING WITH PERFORATED LINER OVER FIBERGLASS ACOUSTIC MEDIA.

OPTIONS:

- CONTROLS ENCLOSURE
- GT – BRASS AIRFLOW SENSOR GAUGE TAPS

UNIT SIZE	MAX L/S	MAX CFM	S.I. UNITS mm					IMPERIAL UNITS inches				
			OUTLET		INLET		LENGTH	OUTLET		INLET		LENGTH
			B	C	D	E	L	B	C	D	E	L
24x16	3776	8000	965	457	603	403	978	38	18	23 ⁷ / ₈	15 ⁷ / ₈	38 ¹ / ₂

ELECTRIC REHEAT NOTES:

STANDARD COIL FEATURES:

- AUTOMATIC RESET THERMAL CUTOUT
- MANUAL RESET THERMAL CUTOUT
- LOW WATT DENSITY ELEMENTS, HIGH GRADE NICKEL–CHROME ALLOY
- AIR FLOW SWITCH
- HINGED ACCESS DOOR
- 24VAC/50VA CLASS 2 TRANSFORMER
- MAGNETIC CONTACTORS
- SINGLE POINT ELECTRICAL CONNECTION

REFER TO SUBMITTED CONTROL DIAGRAMS FOR STANDARD CONTROL COMPONENTS TO BE SUPPLIED.
SEE CATALOGUE FOR DETAILED AIR FLOW RANGE AND HEATING CAPACITY.

OPTIONAL COIL FEATURES:

- CONTROL CIRCUIT FUSES
- DOOR INTERLOCK DISCONNECT SWITCH
- MERCURY CONTACTORS
- MAIN SUPPLY FUSES
- HEATER SECTION INSULATED (FF NOT AVAILABLE)
- SCR CONTROLS SCR-DAT CONTROLS
- 0 to 10 Vdc CONTROL SIGNAL
- 4 to 20 mA CONTROL SIGNAL
- 24 VAC PULSE CONTROL

TERMINAL LINERS:

- FF FF1 FB SM PM CRAF AFPM
- FF50 CRWF FB1 SM1 PM1 CRAF1 AFPM1

SUPPLY VOLTAGE:

- 120/1Ø 480/3Ø (3 WIRE)
- 208/1Ø (3 WIRE) 600/3Ø (3 OR 4 WIRE)
- 208/3Ø (3 WIRE)
- 240/1Ø 277/1Ø
- 347/1Ø 480/1Ø

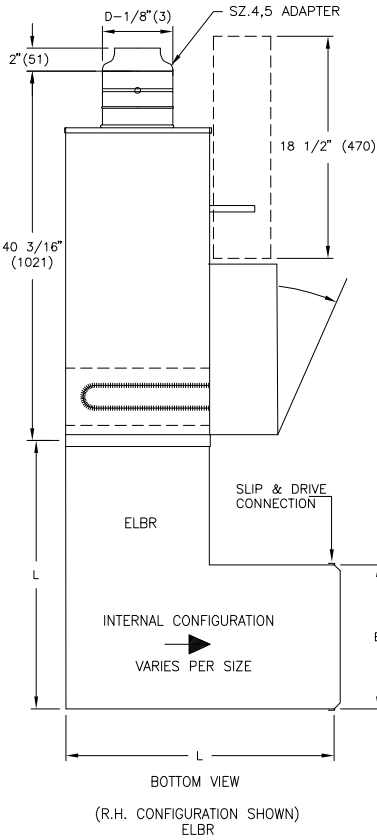
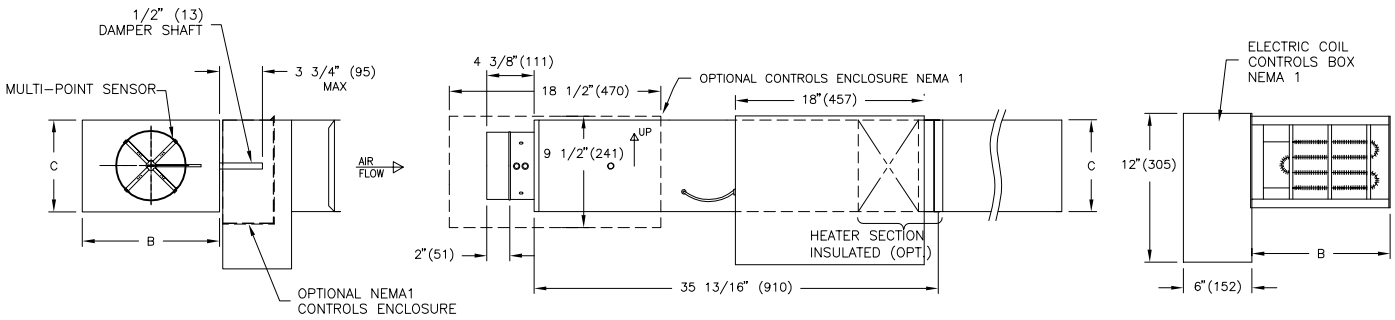
SILENCER LINERS:

- PL – POLYMER LINER
- FC – FIBERGLASS CLOTH



ALL METRIC DIMENSIONS () ARE SOFT CONVERTED. IMPERIAL DIMENSIONS ARE CONVERTED TO METRIC AND ROUNDED TO THE NEAREST MILLIMETER.

PROJECT:		PRICE®	
ENGINEER:		GF	SDVQ5000
CUSTOMER:		246393	INTEGRAL ELECTRIC REHEAT SZ.24X16 VARIABLE VOLUME DIGITAL CONTROLS w/SILENCER
SUBMITTAL DATE:	SPEC. SYMBOL:	2015/10/06	



UNIT SIZE	OUTLET		INLET	SILENCER
	B	C	D	L
4	12 (305)	8 (203)	4(102)	24(610)
5			5(127)	
6			6(152)	
7			7(178)	
8			8(203)	
9	14 (356)	12½ (318)	9(229)	25(635)
10			10(254)	

SEE CATALOGUE FOR DETAILED CFM RANGE AND HEATING CAPACITY.

STANDARD COIL FEATURES:

- AUTOMATIC RESET THERMAL CUTOUT
- MANUAL RESET THERMAL CUTOUT
- LOW WATT DENSITY ELEMENTS, HIGH GRADE NICKEL-CHROME ALLOY
- MAGNETIC CONTACTORS
- AIR FLOW SWITCH
- 24VAC/50VAC CLASS 2 TRANSFORMER
- HINGED ACCESS DOOR
- SINGLE POINT ELECTRICAL CONNECTION
- REFER TO SUBMITTED CONTROL DIAGRAMS FOR STANDARD CONTROL COMPONENTS TO BE SUPPLIED.

NOTES:

- INTERNAL INSULATION - FIBERGLASS 1"(25) THICK, MIN. 1.5# DENSITY, WHICH MEETS REQUIREMENTS OF NFPA 90A AND UL181.
- ZINC COATED STEEL 22GA. TERMINAL & 20 GA. HEATER, MECHANICALLY SEALED AND GASKETED, LEAK RESISTANT CONSTRUCTION .
- RECTANGULAR DISCHARGE OPENINGS HAVE SLIP & DRIVE CLEAT DUCT CONNECTIONS.
- CONTROL ASSEMBLY WILL BE SUPPLIED AS ILLUSTRATED ON RIGHT HAND SIDE UNLESS SPECIFIED OTHERWISE.
- DIGITAL CONTROLS SUPPLIED BY CONTROLS CONTRACTOR.
- SCR CONTROLS OVER 25 AMPS 3Ø USE 19"(483) CONTROL BOX.
- SILENCER - MEDIUM PRESSURE STYLE, 22 GAUGE GALVANIZED CASING WITH PERFORATED LINER OVER FIBERGLASS ACOUSTIC MEDIA.
- R.H. CONFIGURATION SHOWN

SUPPLY VOLTAGE:

- 120/1Ø
- 208/1Ø (3 WIRE)
- 208/3Ø (3 WIRE)
- 240/1Ø
- 277/1Ø
- 347/1Ø
- 480/1Ø
- 480/3Ø (3 WIRE)
- 600/3Ø (3 OR 4 WIRE)

TERMINAL LINERS:

- FF FF1 FB
- FF50 CRWF FB1
- SM PM CRAF
- SM1 PM1 CRAF1
- WFPM AFPM AFPM1

SILENCER LINERS:

- PL - POLYMER LINER
- FC - FIBERGLASS CLOTH

OPTIONS:

- CONTROLS ENCLOSURE
- RS - BOTTOM REMOVABLE SENSOR
- GT - BRASS AIRFLOW SENSOR GAUGE TAPS

SILENCER CONFIGURATIONS:

- ELBR - ELBOW RIGHT - SHIPPED ATTACHED
- ELBL - ELBOW LEFT - SHIPPED ATTACHED
- ELBD - ELBOW DOWN - SHIPPED LOOSE
- ELBU - ELBOW UP - SHIPPED LOOSE

OPTIONAL COIL FEATURES:

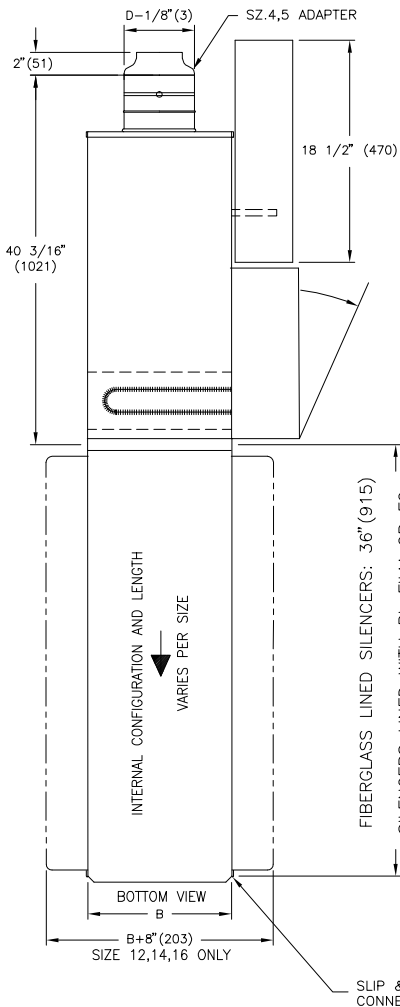
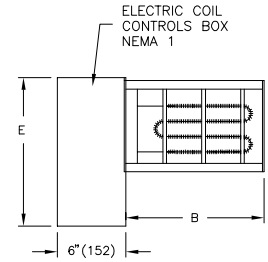
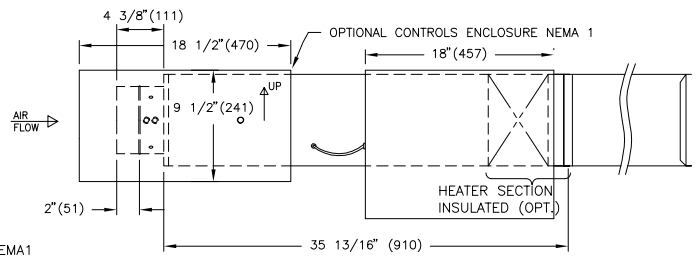
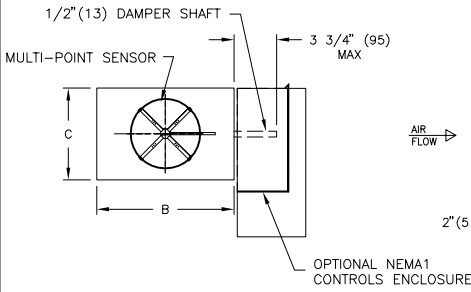
- CONTROL CIRCUIT FUSES
- DOOR INTERLOCK DISCONNECT SWITCH
- MERCURY CONTACTORS
- MAIN SUPPLY FUSES
- HEATER SECTION INSULATED (FF NOT AVAILABLE)
- SCR CONTROLS SCR-DAT CONTROLS

- 0 to 10 Vdc CONTROL SIGNAL
- 4 to 20 mA CONTROL SIGNAL
- 24 VAC PULSE CONTROL



ALL METRIC DIMENSIONS () ARE SOFT CONVERTED. IMPERIAL DIMENSIONS ARE CONVERTED TO METRIC AND ROUNDED TO THE NEAREST MILLIMETER.

PROJECT:		PRICE®	
ENGINEER:			
CUSTOMER:		246393	INTEGRAL ELECTRIC REHEAT SIZE 4 TO 10 ASSEMBLY DIGITAL CONTROLS w/ELBOW SILENCER
SUBMITTAL DATE:	SPEC. SYMBOL:	2015/10/06	



SEE CATALOGUE FOR DETAILED CFM RANGE AND HEATING CAPACITY.

UNIT SIZE	OUTLET		INLET	CONTROL BOX
	B	C	D	E
4	12 (305)	8 (203)	4(102)	12(305)
5			5(127)	12(305)
6			6(152)	12(305)
7	10 (254)	10 (254)	7(178)	12(305)
8			8(203)	12(305)
9	14 (356)	12½ (318)	9(229)	12(305)
10			10(254)	12(305)
12	16 (406)	15 (381)	12(305)	17(432)
14	20 (508)	17½ (445)	14(356)	17(432)
16	24(610)	18 (457)	16(406)	17(432)

STANDARD COIL FEATURES:

- AUTOMATIC RESET THERMAL CUTOUT
- MANUAL RESET THERMAL CUTOUT
- LOW WATT DENSITY ELEMENTS, HIGH GRADE NICKEL-CHROME ALLOY
- MAGNETIC CONTACTORS
- AIR FLOW SWITCH
- 24VAC/50VAC CLASS 2 TRANSFORMER
- HINGED ACCESS DOOR
- SINGLE POINT ELECTRICAL CONNECTION
- REFER TO SUBMITTED CONTROL DIAGRAMS FOR STANDARD CONTROL COMPONENTS TO BE SUPPLIED.

SUPPLY VOLTAGE:

- 120/1Ø
- 208/1Ø (3 WIRE)
- 208/3Ø (3 WIRE)
- 240/1Ø
- 277/1Ø
- 347/1Ø
- 480/1Ø
- 480/3Ø (3 WIRE)
- 600/3Ø (3 OR 4 WIRE)

NOTES:

- INTERNAL INSULATION - FIBERGLASS 1"(25) THICK, MIN. 1.5# DENSITY, WHICH MEETS REQUIREMENTS OF NFPA 90A AND UL181.
- ZINC COATED STEEL 22GA. TERMINAL & 20 GA. HEATER, MECHANICALLY SEALED AND GASKETED, LEAK RESISTANT CONSTRUCTION .
- RECTANGULAR DISCHARGE OPENINGS HAVE SLIP & DRIVE CLEAT DUCT CONNECTIONS.
- CONTROL ASSEMBLY WILL BE SUPPLIED AS ILLUSTRATED ON RIGHT HAND SIDE UNLESS SPECIFIED OTHERWISE.
- SCR CONTROLS OVER 25 AMPS 3Ø USE 19"(483) CONTROL BOX.
- PRICE CONTROLS FACTORY MOUNTED.
- PRICE THERMOSTAT FIELD MOUNTED.
- SILENCER - MEDIUM PRESSURE STYLE, 22ga GALVANIZED CASING WITH PERFORATED LINER OVER FIBERGLASS ACOUSTIC MEDIA.

OPTIONAL COIL FEATURES:

- CONTROL CIRCUIT FUSES
- DOOR INTERLOCK DISCONNECT SWITCH
- MERCURY CONTACTORS
- MAIN SUPPLY FUSES
- HEATER SECTION INSULATED (FF NOT AVAILABLE)
- SCR CONTROLS SCR-DAT CONTROLS
 - 0 to 10 Vdc CONTROL SIGNAL
 - 4 to 20 mA CONTROL SIGNAL
 - 24 VAC PULSE CONTROL

TERMINAL LINERS:

- FF FF1 FB
- FF50 CRWF FB1
- SM PM CRAF
- SM1 PM1 CRAF1
- WFFPM AFPM AFPM1

SILENCER LINERS:

- PL - POLYMER LINER
- FC - FIBERGLASS CLOTH

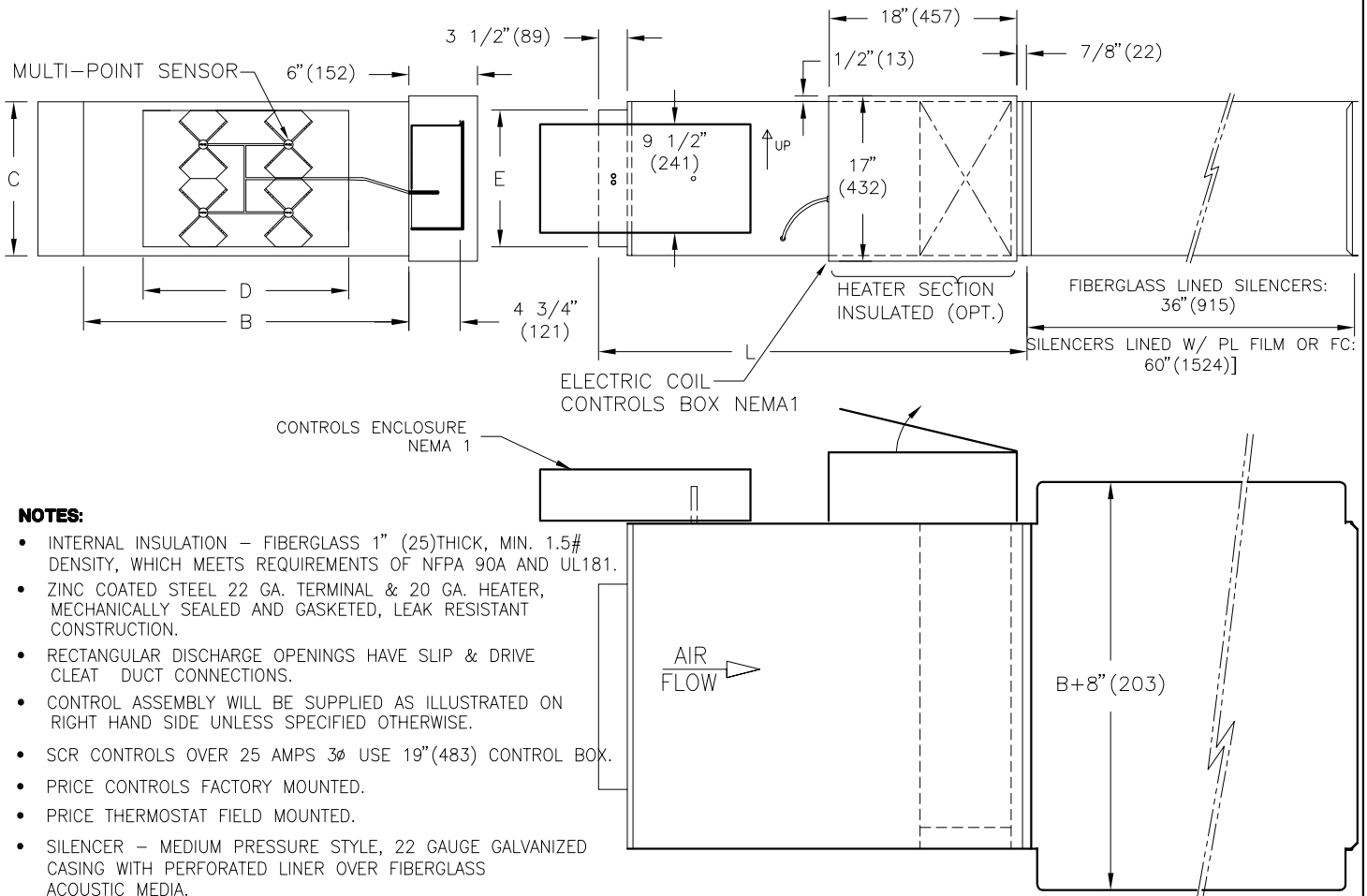
OPTIONS:

- ELBOW SILENCER (SEE PAGE 3)
- RS - BOTTOM REMOVABLE SENSOR



ALL METRIC DIMENSIONS () ARE SOFT CONVERTED. IMPERIAL DIMENSIONS ARE CONVERTED TO METRIC AND ROUNDED TO THE NEAREST MILLIMETER.

PROJECT:		PRICE®
ENGINEER:		
CUSTOMER:		SDVQ8000
SUBMITTAL DATE:		INTEGRAL ELECTRIC REHEAT SIZE 4 TO 16 ASSEMBLY PRICE CONTROLS w/STRAIGHT SILENCER
SPEC. SYMBOL:		



NOTES:

- INTERNAL INSULATION – FIBERGLASS 1" (25)THICK, MIN. 1.5# DENSITY, WHICH MEETS REQUIREMENTS OF NFPA 90A AND UL181.
- ZINC COATED STEEL 22 GA. TERMINAL & 20 GA. HEATER, MECHANICALLY SEALED AND GASKETED, LEAK RESISTANT CONSTRUCTION.
- RECTANGULAR DISCHARGE OPENINGS HAVE SLIP & DRIVE CLEAT DUCT CONNECTIONS.
- CONTROL ASSEMBLY WILL BE SUPPLIED AS ILLUSTRATED ON RIGHT HAND SIDE UNLESS SPECIFIED OTHERWISE.
- SCR CONTROLS OVER 25 AMPS 3Ø USE 19"(483) CONTROL BOX.
- PRICE CONTROLS FACTORY MOUNTED.
- PRICE THERMOSTAT FIELD MOUNTED.
- SILENCER – MEDIUM PRESSURE STYLE, 22 GAUGE GALVANIZED CASING WITH PERFORATED LINER OVER FIBERGLASS ACOUSTIC MEDIA.

OPTIONS:

- CONTROLS ENCLOSURE

UNIT SIZE	MAX L/S	MAX CFM	S.I. UNITS mm					IMPERIAL UNITS inches				
			OUTLET		INLET		LENGTH	OUTLET		INLET		LENGTH
			B	C	D	E	L	B	C	D	E	L
24x16	3776	8000	965	457	603	403	978	38	18	23 ⁷ / ₈	15 ⁷ / ₈	38 ¹ / ₂

OPTIONAL COIL FEATURES:

- CONTROL CIRCUIT FUSES
- DOOR INTERLOCK DISCONNECT SWITCH
- MERCURY CONTACTORS
- MAIN SUPPLY FUSES
- HEATER SECTION INSULATED (FF NOT AVAILABLE)
- SCR CONTROLS SCR-DAT CONTROLS
 - 0 to 10 Vdc CONTROL SIGNAL
 - 4 to 20 mA CONTROL SIGNAL
 - 24 VAC PULSE CONTROL

SUPPLY VOLTAGE:

- 120/1Ø 480/3Ø (3 WIRE)
- 208/1Ø (3 WIRE) 600/3Ø (3 OR 4 WIRE)
- 208/3Ø (3 WIRE)
- 240/1Ø 277/1Ø
- 347/1Ø 480/1Ø

ELECTRIC REHEAT NOTES:

STANDARD COIL FEATURES:

- AUTOMATIC RESET THERMAL CUTOUT
- MANUAL RESET THERMAL CUTOUT
- LOW WATT DENSITY ELEMENTS, HIGH GRADE NICKEL-CHROME ALLOY
- AIR FLOW SWITCH
- HINGED ACCESS DOOR
- 24VAC/50VA CLASS 2 TRANSFORMER
- MAGNETIC CONTACTORS
- SINGLE POINT ELECTRICAL CONNECTION
- REFER TO SUBMITTED CONTROL DIAGRAMS FOR STANDARD CONTROL COMPONENTS TO BE SUPPLIED.

TERMINAL LINERS:

- FF FF1 FB SM PM CRAF
- FF50 CRWF FB1 SM1 PM1 CRAF1
- WFPM AFPM AFPM1

SILENCER LINERS:

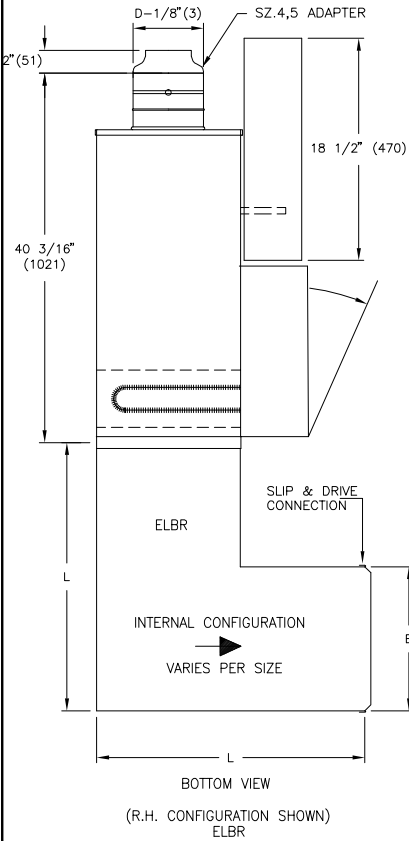
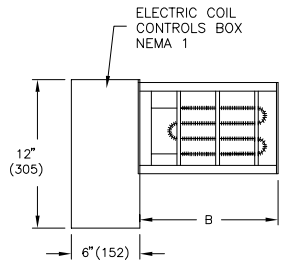
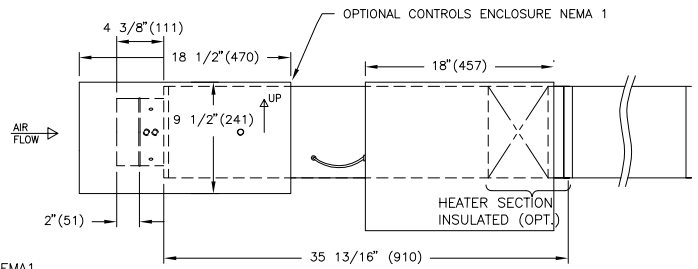
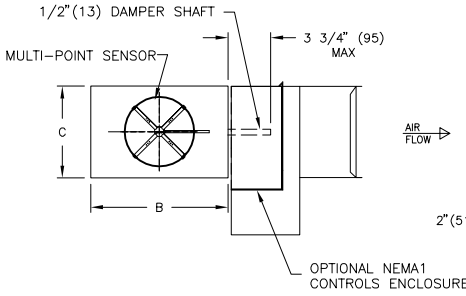
- PL – POLYMER LINER
- FC – FIBERGLASS CLOTH



SEE CATALOGUE FOR DETAILED AIR FLOW RANGE AND HEATING CAPACITY.

ALL METRIC DIMENSIONS () ARE SOFT CONVERTED. IMPERIAL DIMENSIONS ARE CONVERTED TO METRIC AND ROUNDED TO THE NEAREST MILLIMETER.

PROJECT:		PRICE®	
ENGINEER:			
CUSTOMER:		GF	SDVQ8000
SUBMITTAL DATE:		246394	INTEGRAL ELECTRIC REHEAT SZ.24X16 VARIABLE VOLUME PRICE CONTROLS w/SILENCER
SPEC. SYMBOL:		2015/10/06	



UNIT SIZE	OUTLET		INLET	SILENCER
	B	C	D	L
4	12 (305)	8 (203)	4(102)	24(610)
5			5(127)	
6			6(152)	
7	10 (254)	7(178)	25(635)	
8		8(203)		
9	14 (356)	12½ (318)	9(229)	25(635)
10			10(254)	

SEE CATALOGUE FOR DETAILED AIR FLOW RANGE AND HEATING CAPACITY.

STANDARD COIL FEATURES:

- AUTOMATIC RESET THERMAL CUTOUT
- MANUAL RESET THERMAL CUTOUT
- LOW WATT DENSITY ELEMENTS, HIGH GRADE NICKEL-CHROME ALLOY
- MAGNETIC CONTACTORS
- AIR FLOW SWITCH
- 24VAC/50VAC CLASS 2 TRANSFORMER
- HINGED ACCESS DOOR
- SINGLE POINT ELECTRICAL CONNECTION
- REFER TO SUBMITTED CONTROL DIAGRAMS FOR STANDARD CONTROL COMPONENTS TO BE SUPPLIED.

SUPPLY VOLTAGE:

- 120/1Ø
- 208/1Ø (3 WIRE)
- 208/3Ø (3 WIRE)
- 240/1Ø
- 277/1Ø
- 347/1Ø
- 480/1Ø
- 480/3Ø (3 WIRE)
- 600/3Ø (3 OR 4 WIRE)

TERMINAL LINERS:

- FF FF1 FB
- FF50 CRWF FB1
- SM PM CRAF
- SM1 PM1 CRAF1
- WFPM AFPM AFPM1

SILENCER LINERS:

- PL - POLYMER LINER
- FC - FIBERGLASS CLOTH

NOTES:

- INTERNAL INSULATION - FIBERGLASS 1"(25) THICK, MIN. 1.5# DENSITY, WHICH MEETS REQUIREMENTS OF NFPA 90A AND UL181.
- ZINC COATED STEEL 22GA. TERMINAL & 20 GA. HEATER, MECHANICALLY SEALED AND GASKETED, LEAK RESISTANT CONSTRUCTION .
- RECTANGULAR DISCHARGE OPENINGS HAVE SLIP & DRIVE CLEAT DUCT CONNECTIONS.
- CONTROL ASSEMBLY WILL BE SUPPLIED AS ILLUSTRATED ON RIGHT HAND SIDE UNLESS SPECIFIED OTHERWISE.
- SCR CONTROLS OVER 25 AMPS 3Ø USE 19"(483) CONTROL BOX.
- PRICE CONTROLS FACTORY MOUNTED.
- PRICE THERMOSTAT FIELD MOUNTED.
- R.H. CONFIGURATION SHOWN
- SILENCER - MEDIUM PRESSURE STYLE, 22 GAUGE GALVANIZED CASING WITH PERFORATED LINER OVER FIBERGLASS ACOUSTIC MEDIA.

OPTIONAL COIL FEATURES:

- CONTROL CIRCUIT FUSES
- DOOR INTERLOCK DISCONNECT SWITCH
- MERCURY CONTACTORS
- MAIN SUPPLY FUSES
- HEATER SECTION INSULATED (FF NOT AVAILABLE)
- SCR CONTROLS SCR-DAT CONTROLS
- 0 to 10 Vdc CONTROL SIGNAL
- 4 to 20 mA CONTROL SIGNAL
- 24 VAC PULSE CONTROL

OPTIONS:

- RS - BOTTOM REMOVABLE SENSOR

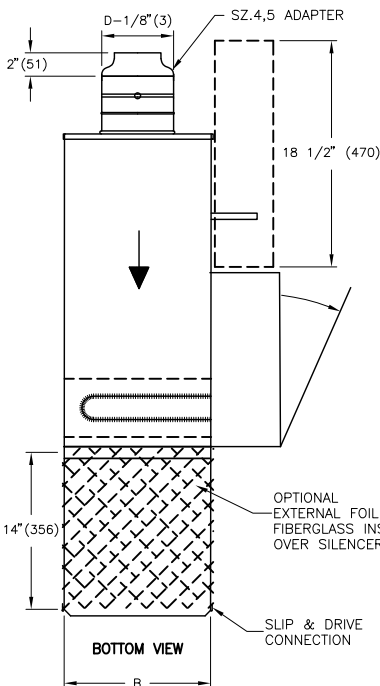
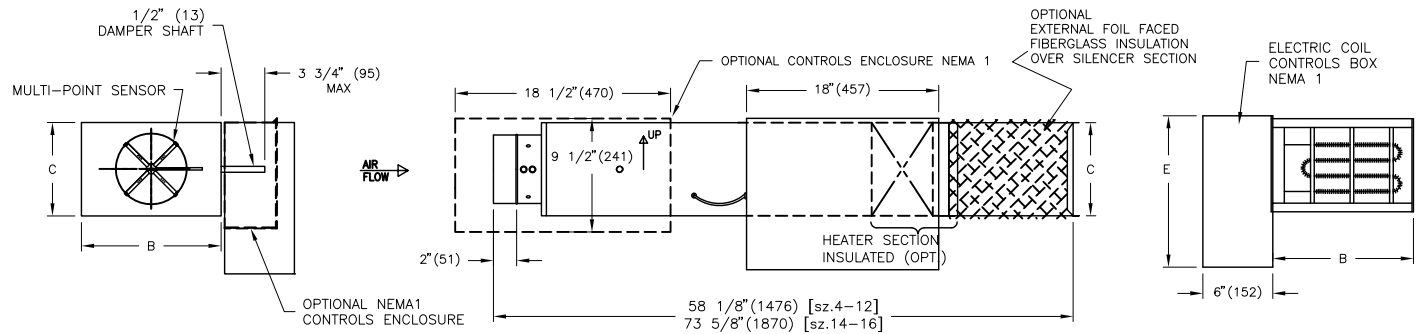
SILENCER CONFIGURATIONS:

- ELBR - ELBOW RIGHT - SHIPPED ATTACHED
- ELBL - ELBOW LEFT - SHIPPED ATTACHED
- ELBD - ELBOW DOWN - SHIPPED LOOSE
- ELBU - ELBOW UP - SHIPPED LOOSE



ALL METRIC DIMENSIONS () ARE SOFT CONVERTED. IMPERIAL DIMENSIONS ARE CONVERTED TO METRIC AND ROUNDED TO THE NEAREST MILLIMETER.

PROJECT:		PRICE®	
ENGINEER:			
CUSTOMER:		GF	SDVQ8000 INTEGRAL ELECTRIC REHEAT SIZE 4 TO 10 ASSEMBLY PRICE CONTROLS w/ELBOW SILENCER
SUBMITTAL DATE:		246394	
SPEC. SYMBOL:		2015/10/06	



UNIT SIZE	OUTLET		INLET	CONTROL BOX
	B	C	D	E
4	12 (305)	8 (203)	4(102)	12(305)
5			5(127)	12(305)
6			6(152)	12(305)
7			7(178)	12(305)
8	14 (356)	12½ (318)	8(203)	12(305)
9			9(229)	12(305)
10	16 (406)	15 (381)	10(254)	12(305)
12			12(305)	17(432)
14			14(356)	17(432)
16			16(406)	17(432)

SEE CATALOGUE FOR DETAILED CFM RANGE AND HEATING CAPACITY.

NOTES:

- ZINC COATED STEEL 22GA. TERMINAL & 20 GA. HEATER. MECHANICALLY SEALED, LEAK RESISTANT CONSTRUCTION.
- TERMINAL INSULATION FIBERGLASS 3/4" (19) THICK 1.5# DENSITY WHICH MEETS REQUIREMENTS OF NFPA 90A AND UL181 COVERED WITH SOLID METAL LINER (DUAL WALL).
- PACKLESS SILENCER - 22 GAUGE GALVANIZED CASING, 22GA PERFORATED LINER, NO ACOUSTIC MEDIA.
- RECTANGULAR DISCHARGE OPENINGS HAVE SLIP & DRIVE CLEAT DUCT CONNECTIONS.
- CONTROL ASSEMBLY WILL BE SUPPLIED AS ILLUSTRATED ON RIGHT HAND SIDE UNLESS SPECIFIED OTHERWISE.
- DIGITAL CONTROLS SUPPLIED BY CONTROLS CONTRACTOR.
- SCR CONTROLS OVER 25 AMPS 3Ø USE 19"(483) CONTROL BOX.
- ASSEMBLY ETL CERTIFIED TO UL1995 & CSA236.
- UNIT SHIPPED AS COMPLETE ASSEMBLY.

OPTIONS:

- CONTROLS ENCLOSURE
- DISCONNECT SWITCH
- RS - BOTTOM REMOVABLE SENSOR
- HANGER BRACKETS (SHIPPED LOOSE)
- EXTERNAL FOIL FACED FIBERGLASS INSULATION OVER SILENCER SECTION
- GT - BRASS AIRFLOW SENSOR GAUGE TAPS

TERMINAL LINERS:

- SM1

STANDARD COIL FEATURES:

- AUTOMATIC RESET THERMAL CUTOUT
- MANUAL RESET THERMAL CUTOUT
- LOW WATT DENSITY ELEMENTS, HIGH GRADE NICKEL-CHROME ALLOY
- MAGNETIC CONTACTORS
- AIR FLOW SWITCH
- 24VAC/50VAC CLASS 2 TRANSFORMER
- HINGED ACCESS DOOR
- SINGLE POINT ELECTRICAL CONNECTION
- REFER TO SUBMITTED CONTROL DIAGRAMS FOR STANDARD CONTROL COMPONENTS TO BE SUPPLIED.

SUPPLY VOLTAGE:

- 120/1Ø
- 208/1Ø (3 WIRE)
- 208/3Ø (3 WIRE)
- 240/1Ø
- 277/1Ø
- 347/1Ø
- 480/1Ø
- 480/3Ø (3 WIRE)
- 600/3Ø (3 OR 4 WIRE)

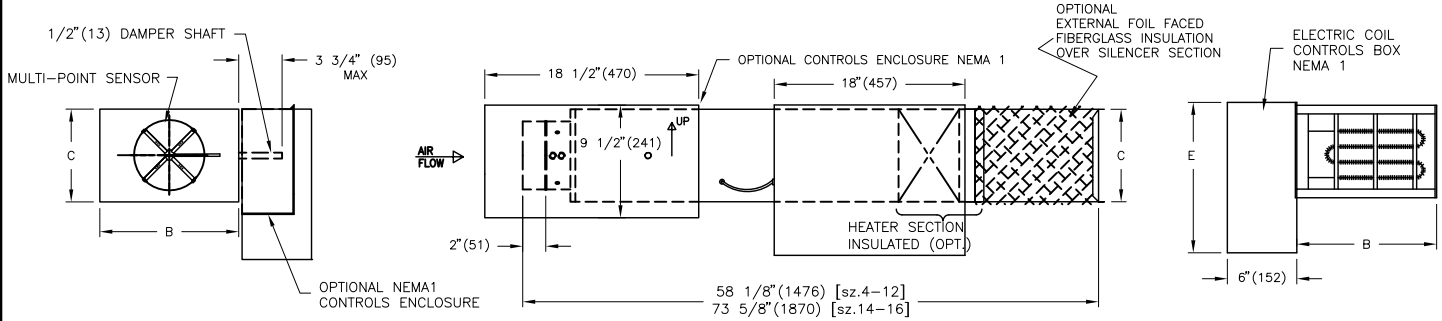


OPTIONAL COIL FEATURES:

- CONTROL CIRCUIT FUSES
- DOOR INTERLOCK DISCONNECT SWITCH
- ELECTRONIC MODULATING CONTROLS(EMC)
- MERCURY CONTACTORS
- MAIN SUPPLY FUSES
- HEATER SECTION INSULATED (FF NOT AVAILABLE)
- SCR CONTROLS SCR-DAT CONTROLS
 - 0 to 10 Vdc CONTROL SIGNAL
 - 4 to 20 mA CONTROL SIGNAL
 - 24 VAC PULSE CONTROL

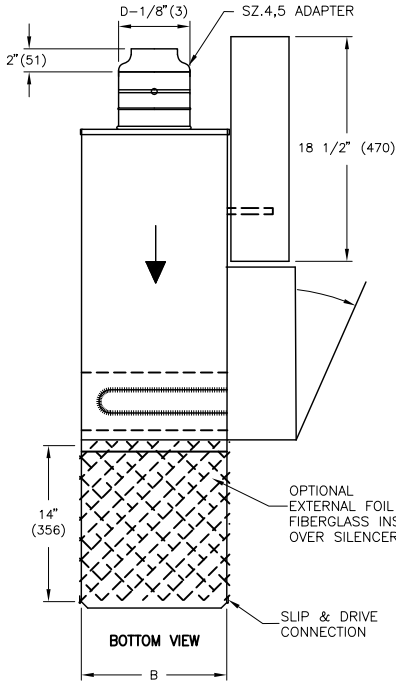
ALL METRIC DIMENSIONS () ARE SOFT CONVERTED. IMPERIAL DIMENSIONS ARE CONVERTED TO METRIC AND ROUNDED TO THE NEAREST MILLIMETER.

PROJECT:			
ENGINEER:			
CUSTOMER:		258810	SDVQ5000 INTEGRAL ELECTRIC REHEAT SIZE 4 TO 16 ASSEMBLY DIGITAL CONTROLS w/PACKLESS SILENCER
SUBMITTAL DATE:	SPEC. SYMBOL:	2015/04/17	



STANDARD COIL FEATURES:

- AUTOMATIC RESET THERMAL CUTOUT
- MANUAL RESET THERMAL CUTOUT
- LOW WATT DENSITY ELEMENTS, HIGH GRADE NICKEL-CHROME ALLOY
- MAGNETIC CONTACTORS
- AIR FLOW SWITCH
- 24VAC/50VAC CLASS 2 TRANSFORMER
- HINGED ACCESS DOOR
- SINGLE POINT ELECTRICAL CONNECTION
- REFER TO SUBMITTED CONTROL DIAGRAMS FOR STANDARD CONTROL COMPONENTS TO BE SUPPLIED.



UNIT SIZE	OUTLET		INLET	CONTROL BOX
	B	C	D	E
4	12 (305)	8 (203)	4(102)	12(305)
5			5(127)	12(305)
6			6(152)	12(305)
7	10 (254)	10 (254)	7(178)	12(305)
8			8(203)	12(305)
9	14 (356)	12½ (318)	9(229)	12(305)
10			10(254)	12(305)
12	16 (406)	15 (381)	12(305)	17(432)
14	20 (508)	17½ (445)	14(356)	17(432)
16	24(610)	18 (457)	16(406)	17(432)

SEE CATALOGUE FOR DETAILED CFM RANGE AND HEATING CAPACITY.

NOTES:

- ZINC COATED STEEL 22GA. TERMINAL & 20 GA. HEATER. MECHANICALLY SEALED, LEAK RESISTANT CONSTRUCTION.
- TERMINAL INSULATION FIBERGLASS 3/4" (19) THICK 1.5# DENSITY WHICH MEETS REQUIREMENTS OF NFPA 90A AND UL181 COVERED WITH SOLID METAL LINER (DUAL WALL).
- PACKLESS SILENCER - 22 GAUGE GALVANIZED CASING, 22GA PERFORATED LINER, NO ACOUSTIC MEDIA.
- RECTANGULAR DISCHARGE OPENINGS HAVE SLIP & DRIVE CLEAT DUCT CONNECTIONS.
- CONTROL ASSEMBLY WILL BE SUPPLIED AS ILLUSTRATED ON RIGHT HAND SIDE UNLESS SPECIFIED OTHERWISE.
- SCR CONTROLS OVER 25 AMPS ϕ USE 19" (483) CONTROL BOX.
- PRICE CONTROLS FACTORY MOUNTED.
- PRICE THERMOSTAT FIELD MOUNTED.
- ASSEMBLY ETL CERTIFIED TO UL1995 & CSA236.
- UNIT SHIPED AS COMPLETE ASSEMBLY.

OPTIONS:

- EXTERNAL FOIL FACED FIBERGLASS INSULATION OVER SILENCER SECTION
- RS - BOTTOM REMOVABLE SENSOR
- HANGER BRACKETS (SHIPPED LOOSE)

TERMINAL LINERS:

- SM1

SUPPLY VOLTAGE:

- 120/1 ϕ
- 208/1 ϕ (3 WIRE)
- 208/3 ϕ (3 WIRE)
- 240/1 ϕ
- 277/1 ϕ
- 347/1 ϕ
- 480/1 ϕ
- 480/3 ϕ (3 WIRE)
- 600/3 ϕ (3 OR 4 WIRE)

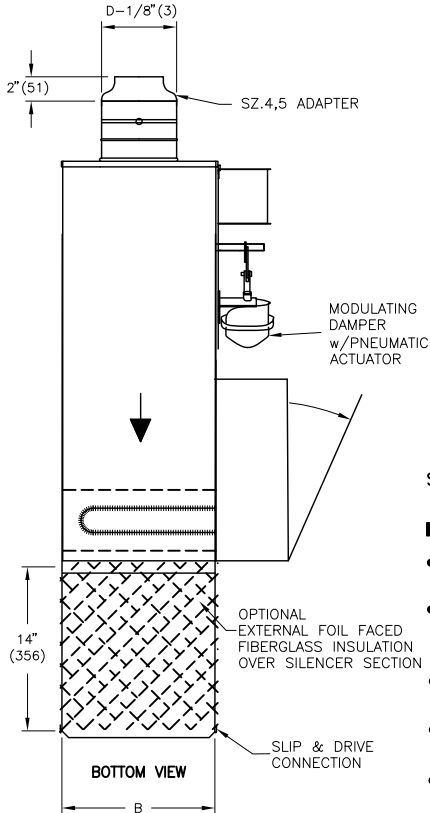
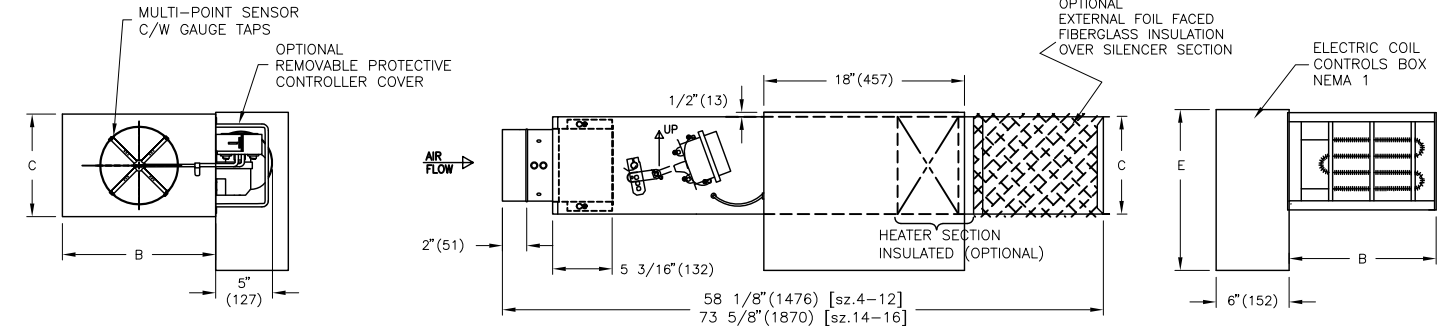
OPTIONAL COIL FEATURES:

- CONTROL CIRCUIT FUSES
- DOOR INTERLOCK DISCONNECT SWITCH
- ELECTRONIC MODULATING CONTROLS(EMC)
- MERCURY CONTACTORS
- MAIN SUPPLY FUSES
- HEATER SECTION INSULATED (FF NOT AVAILABLE)
- SCR CONTROLS SCR-DAT CONTROLS
 - 0 to 10 Vdc CONTROL SIGNAL
 - 4 to 20 mA CONTROL SIGNAL
 - 24 VAC PULSE CONTROL



ALL METRIC DIMENSIONS () ARE SOFT CONVERTED. IMPERIAL DIMENSIONS ARE CONVERTED TO METRIC AND ROUNDED TO THE NEAREST MILLIMETER.

PROJECT:		PRICE®	
ENGINEER:			
CUSTOMER:		258811	SDVQ8000 INTEGRAL ELECTRIC REHEAT SIZE 4 TO 16 ASSEMBLY PRICE CONTROLS w/PACKLESS SILENCER
SUBMITTAL DATE:	SPEC. SYMBOL:	2015/04/17	



UNIT SIZE	OUTLET		INLET	CONTROL BOX		
	B	C	D	E		
4	12 (305)	8 (203)	4(102)	12(305)		
5			5(127)	12(305)		
6			6(152)	12(305)		
7			7(178)	12(305)		
8			8(203)	12(305)		
9			14 (356)	12½ (318)	9(229)	12(305)
10					10(254)	12(305)
12			16 (406)	15 (381)	12(305)	17(432)
14	20 (508)	17½ (445)	14(356)	17(432)		
16	24(610)	18 (457)	16(406)	17(432)		

SEE CATALOGUE FOR DETAILED AIR FLOW RANGE AND HEATING CAPACITY.

NOTES:

- ZINC COATED STEEL 22GA. TERMINAL & 20 GA. HEATER. MECHANICALLY SEALED, LEAK RESISTANT CONSTRUCTION.
- TERMINAL INSULATION FIBERGLASS 3/4" (19) THICK 1.5# DENSITY WHICH MEETS REQUIREMENTS OF NFPA 90A AND UL181 COVERED WITH SOLID METAL LINER (DUAL WALL).
- PACKLESS SILENCER - 22 GAUGE GALVANIZED CASING, 22GA PERFORATED LINER, NO ACOUSTIC MEDIA.
- RECTANGULAR DISCHARGE OPENINGS HAVE SLIP & DRIVE CLEAT DUCT CONNECTIONS.
- CONTROL ASSEMBLY WILL BE SUPPLIED AS ILLUSTRATED ON RIGHT HAND SIDE UNLESS SPECIFIED OTHERWISE.
- PRESSURE INDEPENDENT.
- CLEAN, DRY, 20 PSI (138KPa) CONTROL AIR REQUIRED.
- CONTROLS SUPPLIED AND MOUNTED BY PRICE.
- SCR CONTROLS OVER 25 AMPS 3Ø USE 19"(483) CONTROL BOX.
- UNIT SHIPED AS COMPLETE ASSEMBLY.

STANDARD COIL FEATURES:

- AUTOMATIC RESET THERMAL CUTOUT
- MANUAL RESET THERMAL CUTOUT
- LOW WATT DENSITY ELEMENTS, HIGH GRADE NICKEL-CHROME ALLOY
- PNEUMATIC ELECTRIC SWITCH
- AIR FLOW SWITCH
- HINGED ACCESS DOOR
- SINGLE POINT ELECTRICAL CONNECTION
- REFER TO SUBMITTED CONTROL DIAGRAMS FOR STANDARD CONTROL COMPONENTS TO BE SUPPLIED.

OPTIONAL COIL FEATURES:

- CONTROL CIRCUIT FUSES
 - DOOR INTERLOCK DISCONNECT SWITCH
 - ELECTRONIC MODULATING CONTROLS(EMC)
 - MERCURY CONTACTORS
 - MAIN SUPPLY FUSES
 - HEATER SECTION INSULATED (FF NOT AVAILABLE)
 - SCR CONTROLS SCR-DAT CONTROLS
- NOTE: FOR SCR OPTION WITH PNEUMATIC CONTROL SIGNAL CONTACT PRICE
- 0 to 10 Vdc CONTROL SIGNAL
 - 4 to 20 mA CONTROL SIGNAL
 - 24 VAC PULSE CONTROL

SUPPLY VOLTAGE:

- 120/1Ø
- 208/1Ø (3 WIRE)
- 208/3Ø (3 WIRE)
- 240/1Ø
- 277/1Ø 480/3Ø (3 WIRE)
- 347/1Ø 600/3Ø (3 OR 4 WIRE)
- 480/1Ø

- OPTIONS:**
- PROTECTIVE CONTROL SHROUD.
 - EXTERNAL FOIL FACED FIBERGLASS INSULATION OVER SILENCER SECTION
 - RS - BOTTOM REMOVABLE SENSOR
- TERMINAL LINERS:
- SM1



ALL METRIC DIMENSIONS () ARE SOFT CONVERTED. IMPERIAL DIMENSIONS ARE CONVERTED TO METRIC AND ROUNDED TO THE NEAREST MILLIMETER.

PROJECT:		PRICE®	
ENGINEER:			
CUSTOMER:		258812	SPVQ8000 INTEGRAL ELECTRIC REHEAT SIZE 4 TO 16 ASSEMBLY PNEUMATIC CONTROLS w/PACKLESS SILENCER
SUBMITTAL DATE:	SPEC. SYMBOL:	2011/08/31	